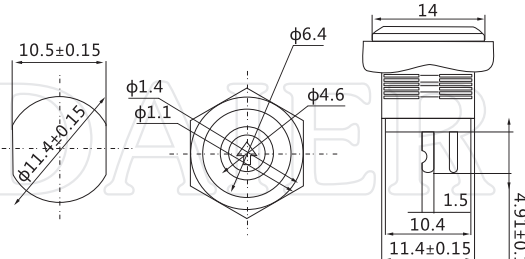

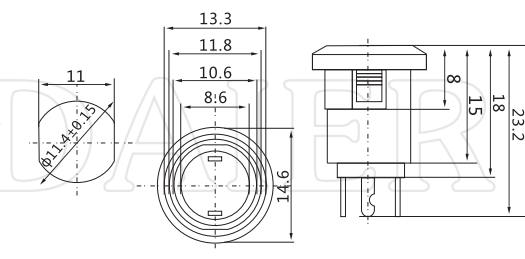

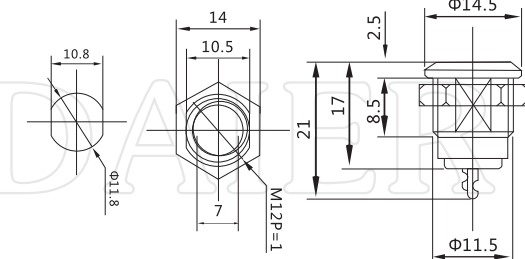
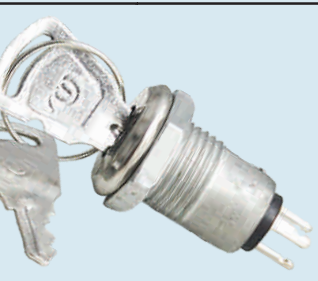
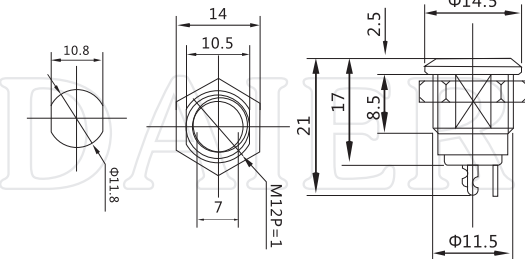

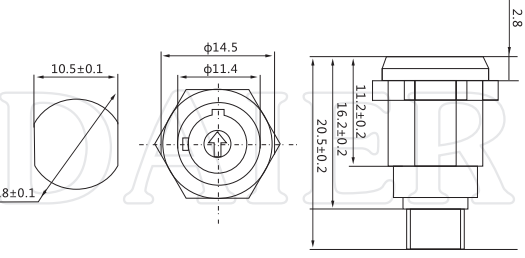

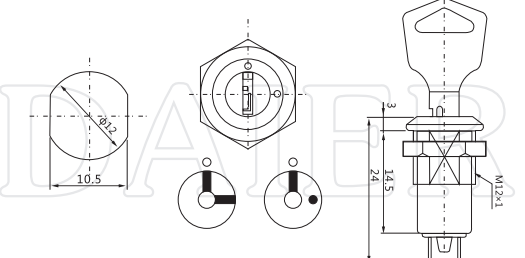

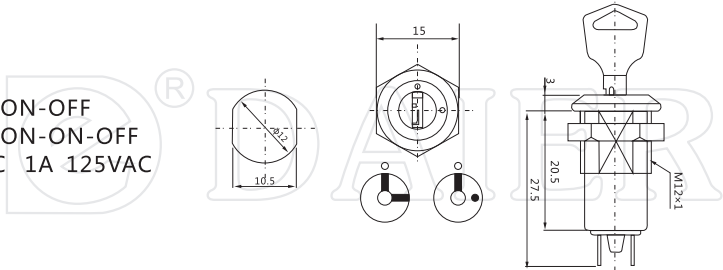

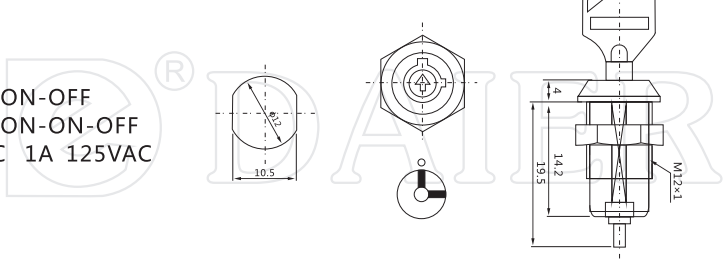
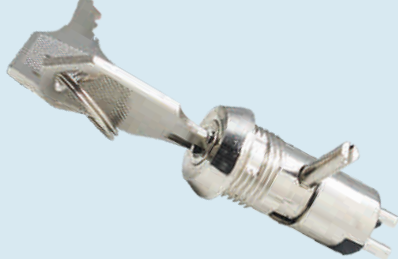
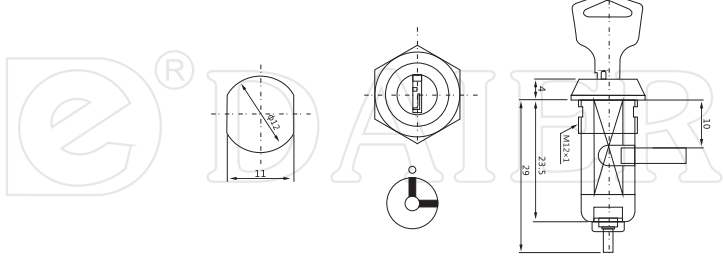
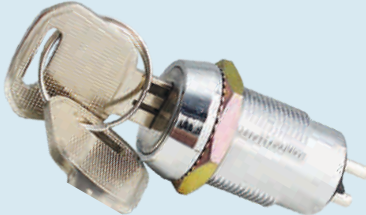
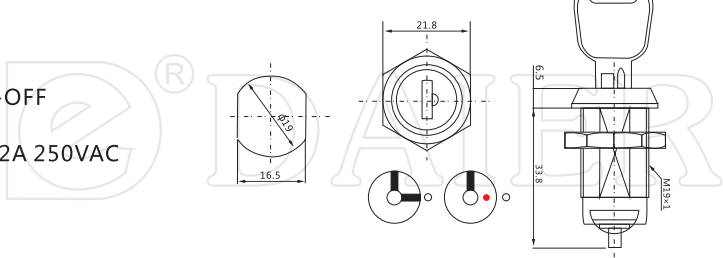
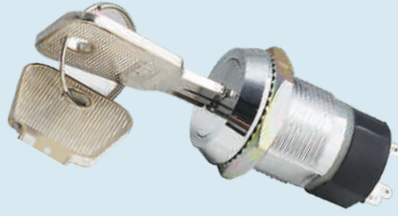
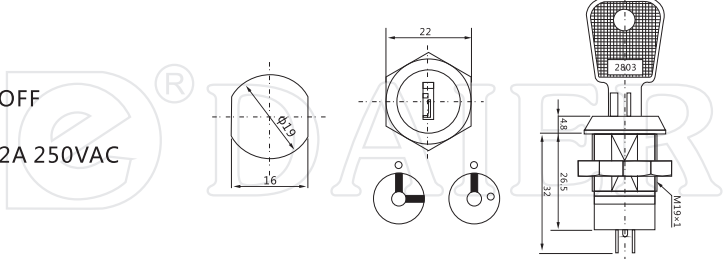
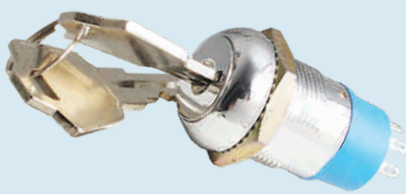
	<p>KS-103P-101 ON-OFF KS-103P-102 ON-ON-OFF 0.5A 250VAC 1A 125VAC</p> 
	<p>KS-102KP-101 ON-OFF KS-102KP-102 ON-ON-OFF 0.5A 250VAC 1A 125VAC</p> 
	<p>KS-02P-101 ON-OFF 0.5A 250VAC 1A 125VAC</p> 
	<p>KS-02P-102 ON-ON-OFF 0.5A 250VAC 1A 125VAC</p> 
	<p>KS-03P-101 ON-OFF KS-03P-102 ON-ON-OFF 0.5A 250VAC 1A 125VAC</p> 
	<p>KS-02-101 ON-OFF KS-02-102 ON-ON-OFF 0.5A 250VAC 1A 125VAC</p> 

	<p>KS-01-101 ON-OFF KS-01-102 ON-ON-OFF 0.5A 250VAC 1A 125VAC</p> 
	<p>KS-03-101 ON-OFF KS-03-102 ON-ON-OFF 0.5A 250VAC 1A 125VAC</p> 
	<p>K12-07</p> 
	<p>K19-06 ON-OFF SPST 2P 4A 125VAC ;2A 250VAC</p> 
	<p>K19-02 ON-OFF DPST 4P 4A 125VAC ;2A 250VAC</p> 
	<p>K19-05 4A 125VAC 2A 250VAC</p> 