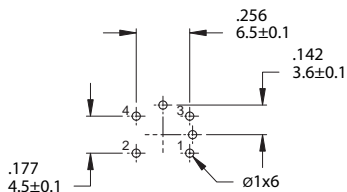
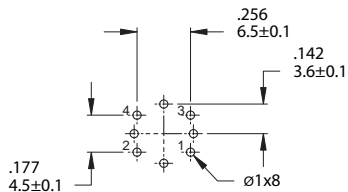


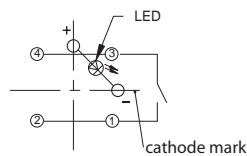
PCB LAYOUT & CIRCUIT DIAGRAM



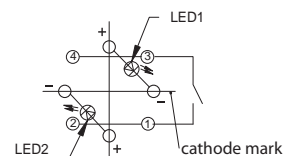
PCB MOUNTING(TOP VIEW)
Single Color Led



PCB MOUNTING(TOP VIEW)
Dua Color Led



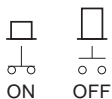
CIRCUIT(TOP VIEW)
Single Color Led



CIRCUIT(TOP VIEW)
Dua Color Led



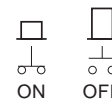
Part No. Shown: KT-0113Q-A10



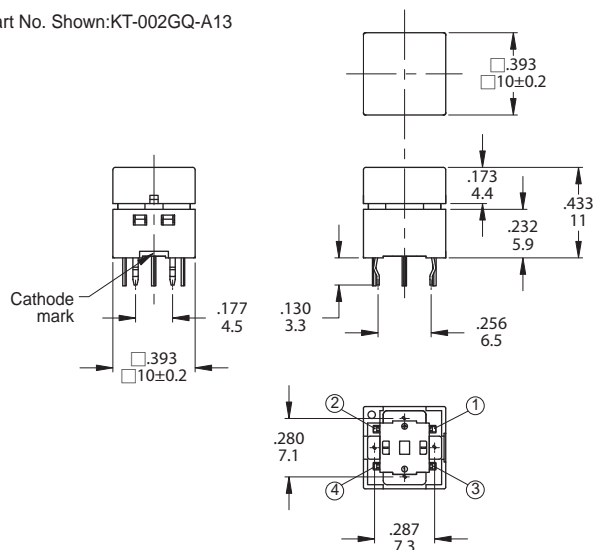
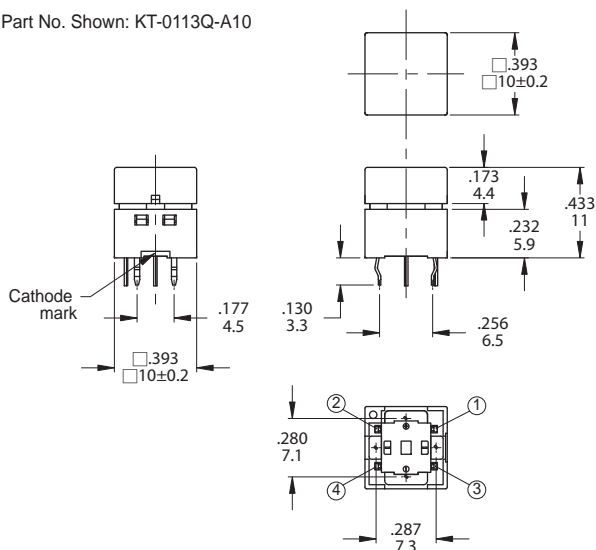
Switch Circuit Diagram



Part No. Shown:KT-002GQ-A13



Switch Circuit Diagram



WITH LED ELECTRO-OPTICAL DATA

* The LED specification for reference only

■ Single Color Led

Lens Appearance	Color	Electro-optical Data(AT 20mA)				Peak wavelength (mm)	Viewing Angle 2θ 1/2 (deg)
		Vf (V)		Iv (mcd)			
		Typ.	Max.	Typ.	Min.		
Water Clear	White	3.2	3.7	270	160	X 0.25 Y 0.29	150°
	Red	2.0	2.5	95	50	635	
	Yellow	2.0	2.5	150	80	585	
	Green	3.3	3.7	280	200	520	
	Blue	3.1	3.6	50	20	460	

■ Dual Color Led

Lens Appearance	Color	Electro-optical Data(AT 20mA)				Peak wavelength	Viewing Angle 2θ 1/2 (deg)
		Vf (V)		Iv (mcd)			
		Typ.	Max.	Typ.	Min.		
Water Clear	Red	2.0	2.5	95	50	635	150°
	Green	3.3	3.7	280	200	520	
	Blue	3.1	3.6	50	20	460	