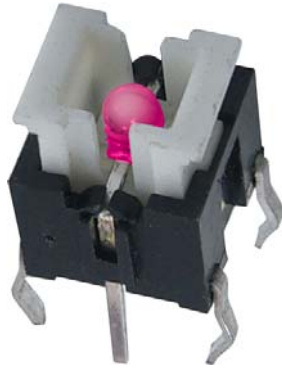


TC002 SERIES

LED TACT SWITCH



Feature -

- small size
- bi-color LED illuminated available
- long life cycles
- SMT and vertical PCB terminal

Application -

- consumer products
- computer products
- instrumentation
- communication equipments

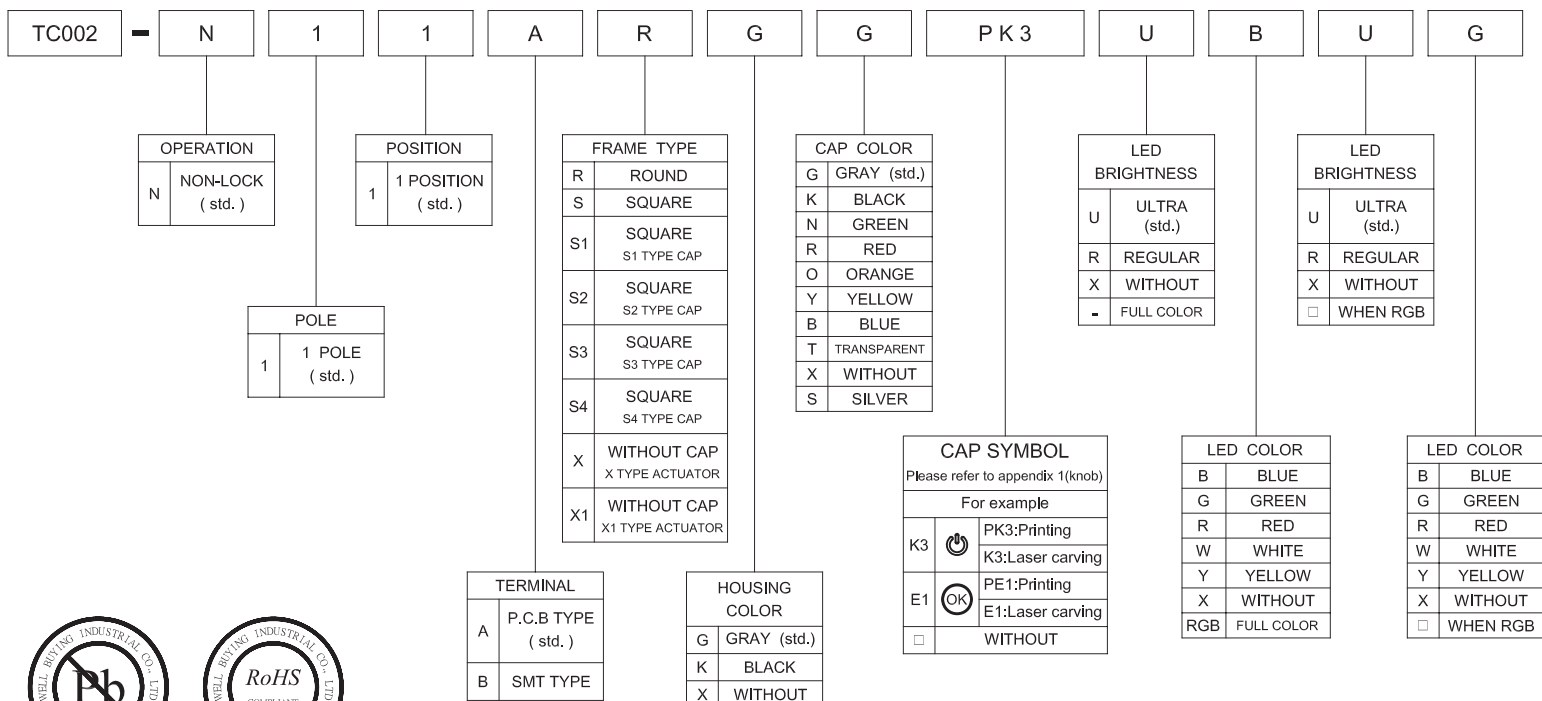
► SPECIFICATIONS

SWITCH SPECIFICATIONS	
POLE - POSITION	1P1T , with LED
CONTACT RATING	12 V DC , 50 mA
CONTACT RESISTANCE	100 mΩ MAX. 1.5 V DC ; 100 mA , by Method of Voltage DROP
INSULATION RESISTANCE	100 MΩ MIN. 500 V DC
DIELECTRIC STRENGTH	Breakdown is not Allowable ; 500 V AC for 1 Minute
OPERATING FORCE	180 ± 50 gf
OPERATING LIFE	500,000 cycles
OPERATING TEMPERATURE RANGE	-20°C ~ 70°C
TOTAL TRAVEL	0.2 ± 0.1 mm

LED SPECIFICATIONS		Unit	Value / LED Color				
			Blue	Green	Red	White	Yellow
	ATTENTION						
	LEDs are Electrostatic Sensitive devices						
FORWARD CURRENT	I_f	mA	10	20	20	2	20
REVERSE VOLTAGE	V_r	V	5.0	5.0	5.0	5.0	5.0
REVERSE CURRENT	I_r	μA	10	10	10	10	10
FORWARD VOLTAGE	V_f	V	@ 10mA 3.0-4.0	2.1-2.5	2.0-2.5	@ 2mA 2.8-4.0	2.0-2.5
LUMINOUS INTENSITY	I_v	mcd	@ 10mA 200	800	1800	@ 2mA 12	1800

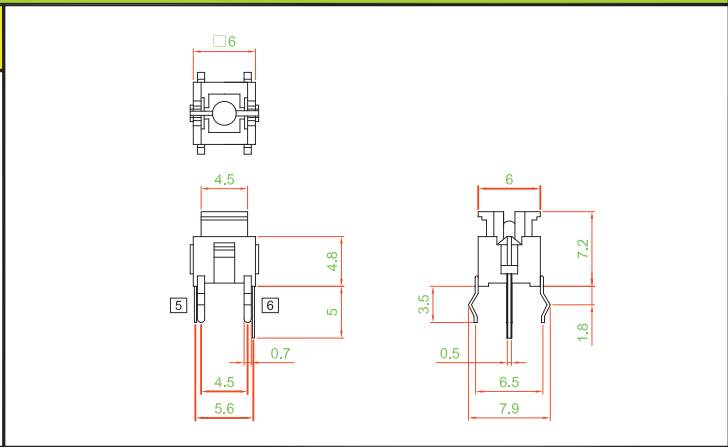
Physical and electrical information of LED will be provided upon customer's request on switches .

► HOW TO ORDER

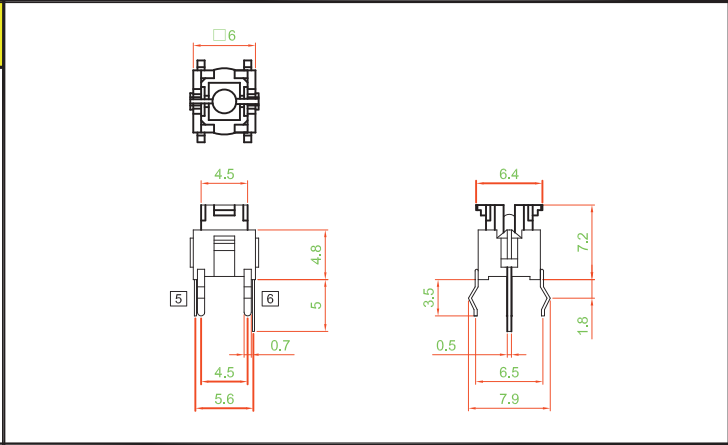
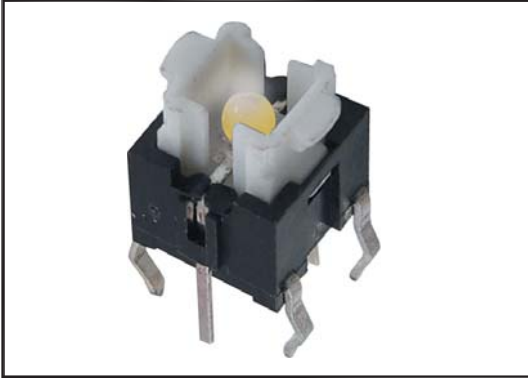


► DIMENSION

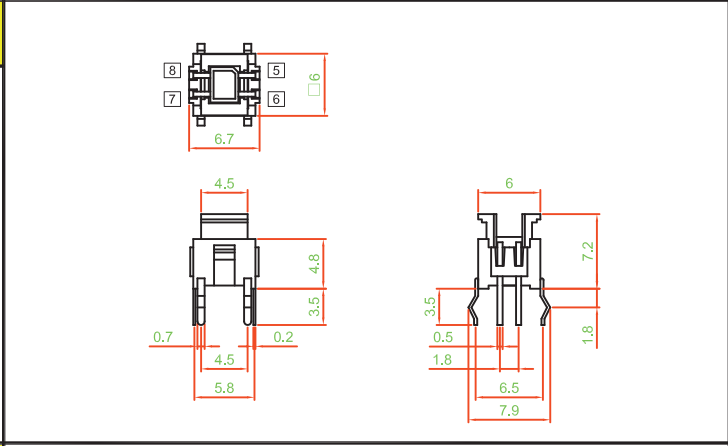
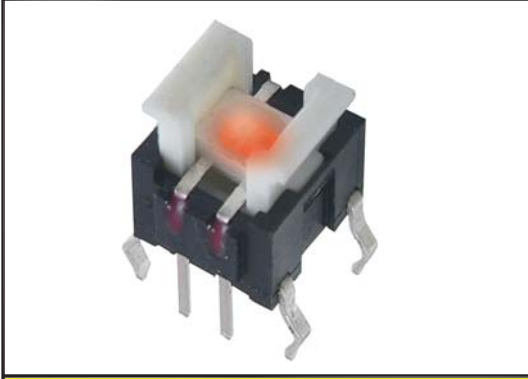
TC002-N11AXXX □ □ □ □



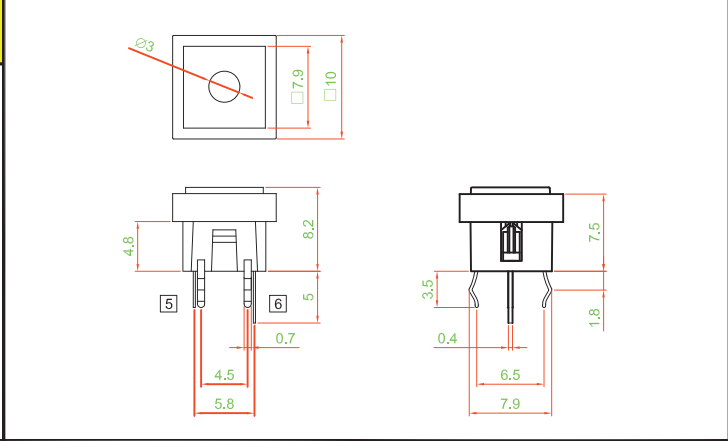
TC002-N11AX1XX □ □ □ □



TC002-N11AXXX - R G B



TC002-N11ASGG □ □ □ □

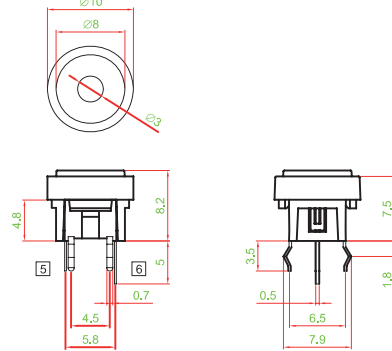


TC002 SERIES

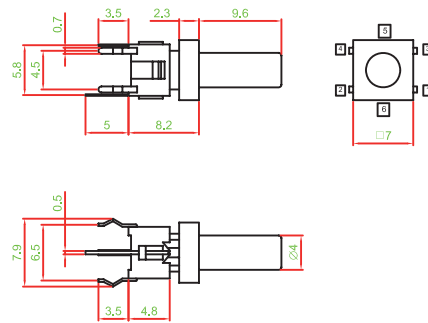
LED TACT SWITCH

► DIMENSION

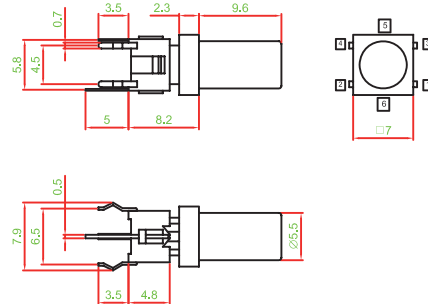
TC002-N11ARKK □ □ □ □



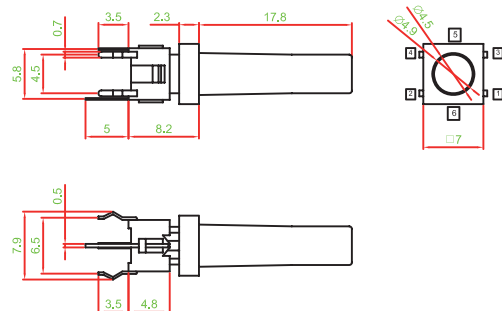
TC002-N11AS1XT □ □ □ □



TC002-N11AS2XNT □ □ □ □

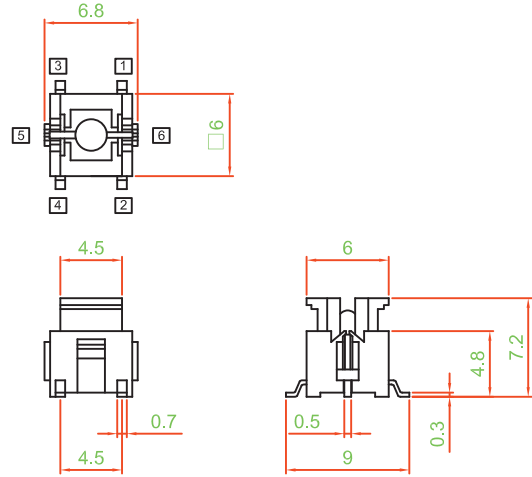
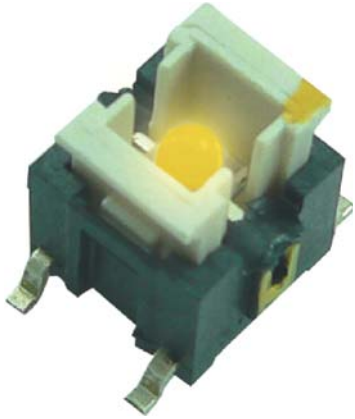


TC002-N11AS3X WT □ □ □ □

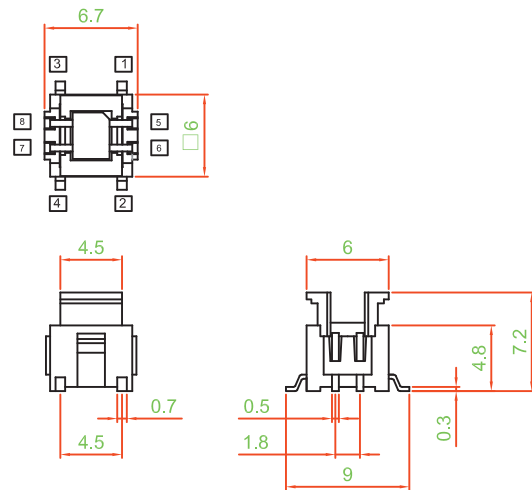
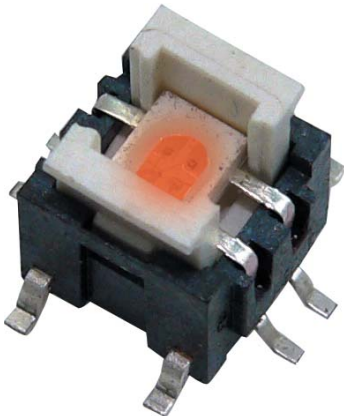


► DIMENSION

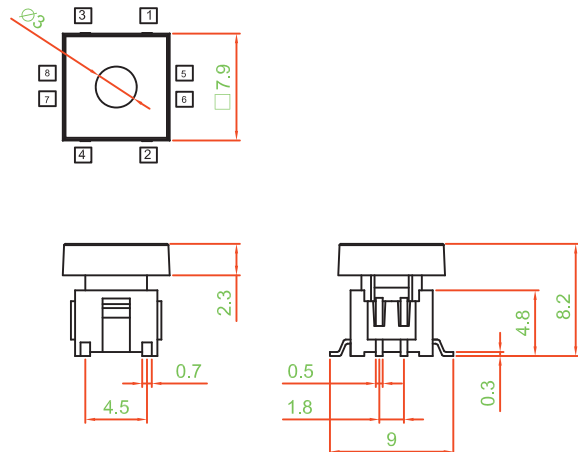
TC002-N11BXXX □ □ □ □



TC002-N11BXXX - R G B



TC002-N11BSXK - R G B

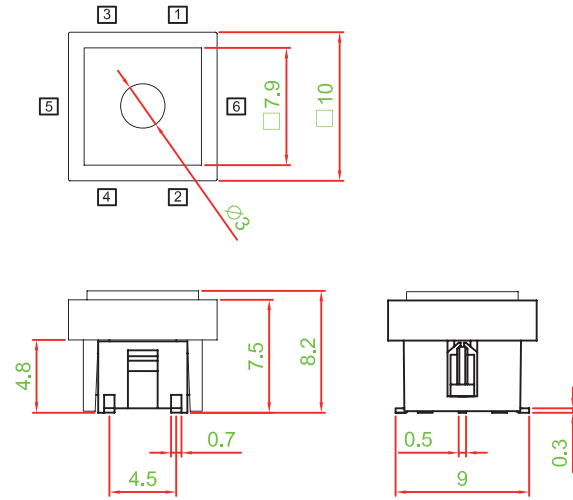


TC002 SERIES

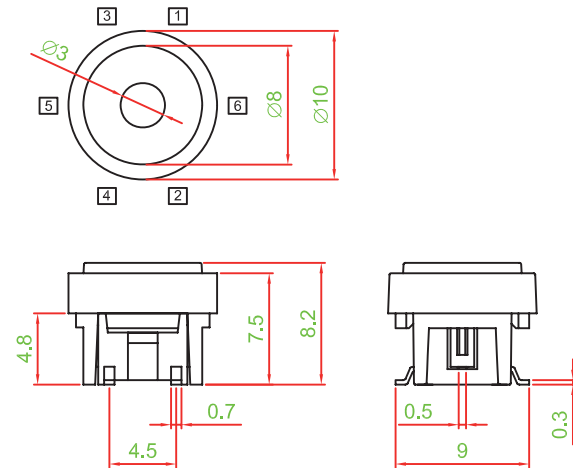
LED TACT SWITCH

► DIMENSION

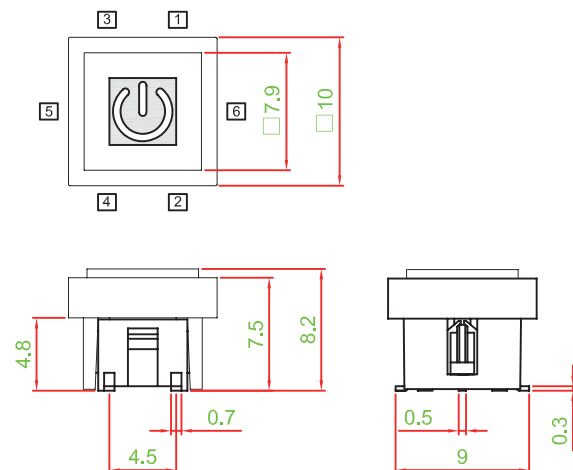
TC002-N11BSGG □ □ □ □



TC002-N11BRKK □ □ □ □

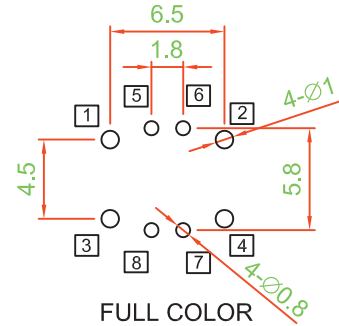
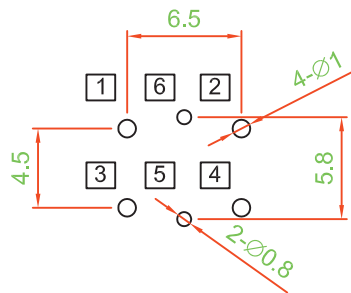


TC002-N11BS4KK SK3 □ □ □ □

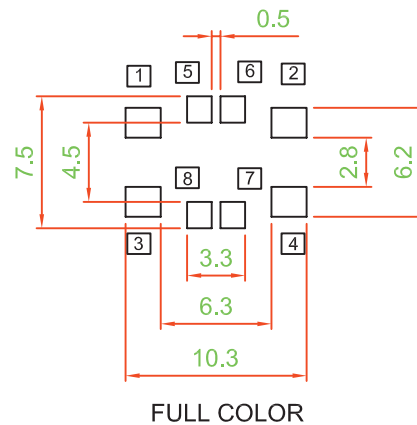
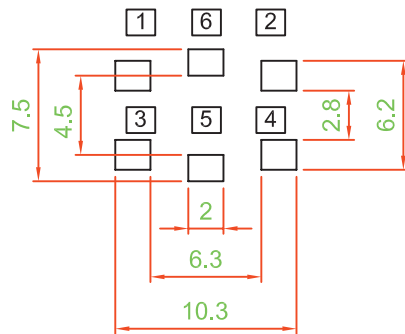


► P.C.B LAYOUT

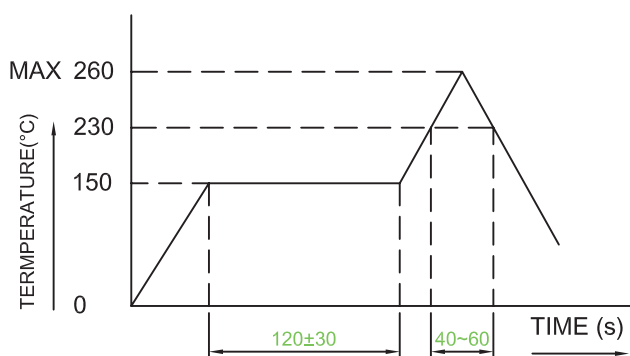
P.C.B TYPE



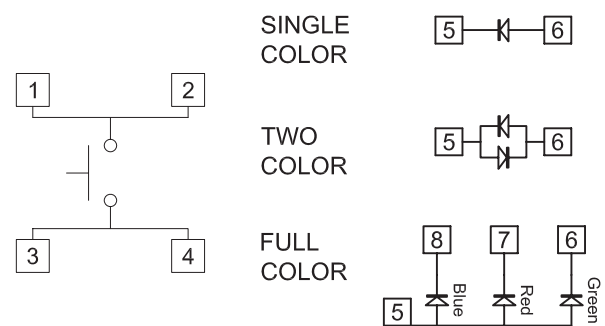
SMT TYPE



► REFLOW SOLDERING



► CIRCUIT



► MATERIAL

- COVER - PA
- ACTUATOR - PA
- BASE FRAME - PA
- TERMINAL - BRASS SILVER PLATING

► UNIT WEIGHT

- TC002-N11ASGG □ □ □ □ : 0.56 ± 0.05 g / pc
- TC002-N11ARGG □ □ □ □ : 0.5 ± 0.05 g / pc
- TC002-N11AXXX □ □ □ □ : 0.3 ± 0.05 g / pc
- TC002-N11BXXX □ □ □ □ : 0.32 ± 0.05 g / pc

