



Feature -

- water proof IP67 sealed
- bi-color LED illuminated available
- long life cycles
- good tactile feeling

Application -

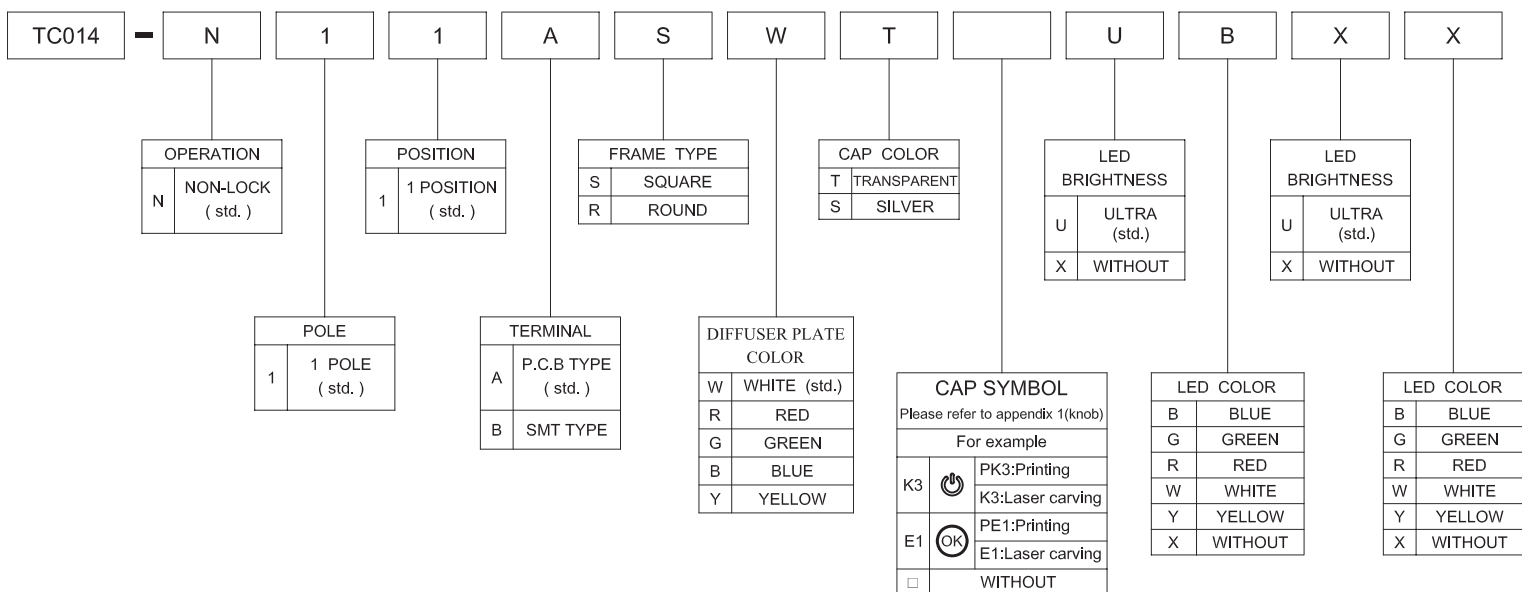
- consumer products
- computer products
- instrumentation
- communication equipments

► SPECIFICATIONS

SWITCH SPECIFICATIONS	
POLE - POSITION	Momentary action , SPST
CONTACT RATING	20 V DC , 1 mA
CONTACT RESISTANCE	1Ω MAX. 5 V DC ; 1 mA , by Method of Voltage DROP
INSULATION RESISTANCE	100 MΩ MIN. 100 V DC for 1 minute
DIELECTRIC STRENGTH	Breakdown is not Allowable ; 250 V AC for 1 Minute
OPERATING FORCE	125 ± 50 gf
OPERATING LIFE	500,000 cycles
OPERATING TEMPERATURE RANGE	-20°C ~ 70°C
TOTAL TRAVEL	1.3 ± 0.1 mm
SEALING	IP67

LED SPECIFICATIONS								
ATTENTION	LEDs are Electrostatic Sensitive devices	Unit	Value / LED Color					
			Blue	Green	Red	White	Yellow	
FORWARD CURRENT	If	mA	10	20	20	2	20	
REVERSE VOLTAGE	Vr	V	5.0	5.0	5.0	5.0	5.0	
REVERSE CURRENT	Ir	μA	10	10	10	10	10	
FORWARD VOLTAGE	Vf	V	@ 10mA 3.0-4.0	2.1-2.5	2.0-2.5	@ 2mA 2.8-4.0	2.0-2.5	
LUMINOUS INTENSITY	Iv	mcd	@ 10mA 200	800	1800	@ 2mA 12	1800	

► HOW TO ORDER

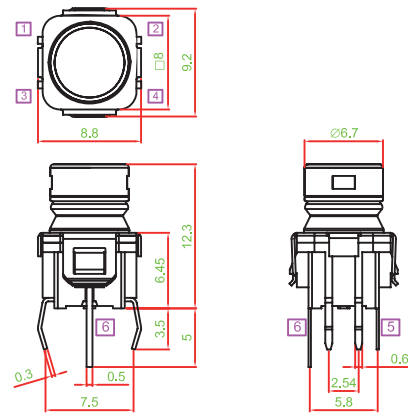


TC014 SERIES

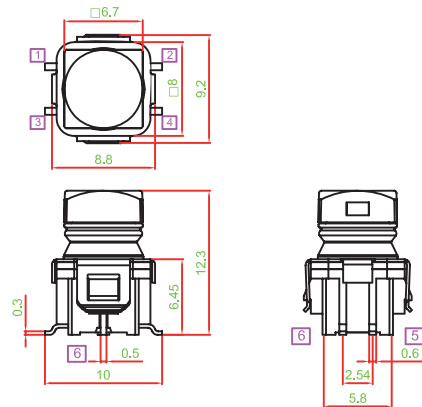
LED TACT SWITCH

► P.C.B LAYOUT

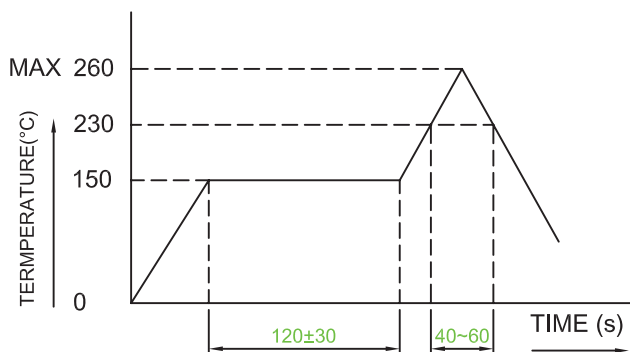
TC014-N11ARWT



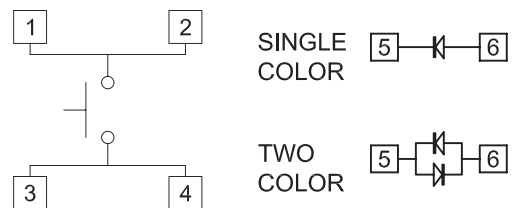
TC014-N11BSWT



► REFLOW SOLDERING



► CIRCUIT

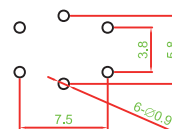


► MATERIAL

- CAP - PC
- DIFFUSER PLATE - SILICON
- ACTUATOR - PA
- BASE FRAME - PA
- COVER - SUS
- TERMINAL - BRASS SILVER PLATING

► P.C.B LAYOUT

DIP TYPE



SMT TYPE

