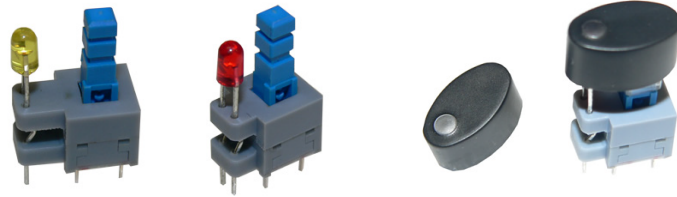


# PS010 SERIES

## LED PUSH BUTTON SWITCH



### Feature -

- Led illuminated
- Two color available
- Lock / non-lock type

### Applications -

- Communication equipments
- Instrumentation
- Audio/Video products

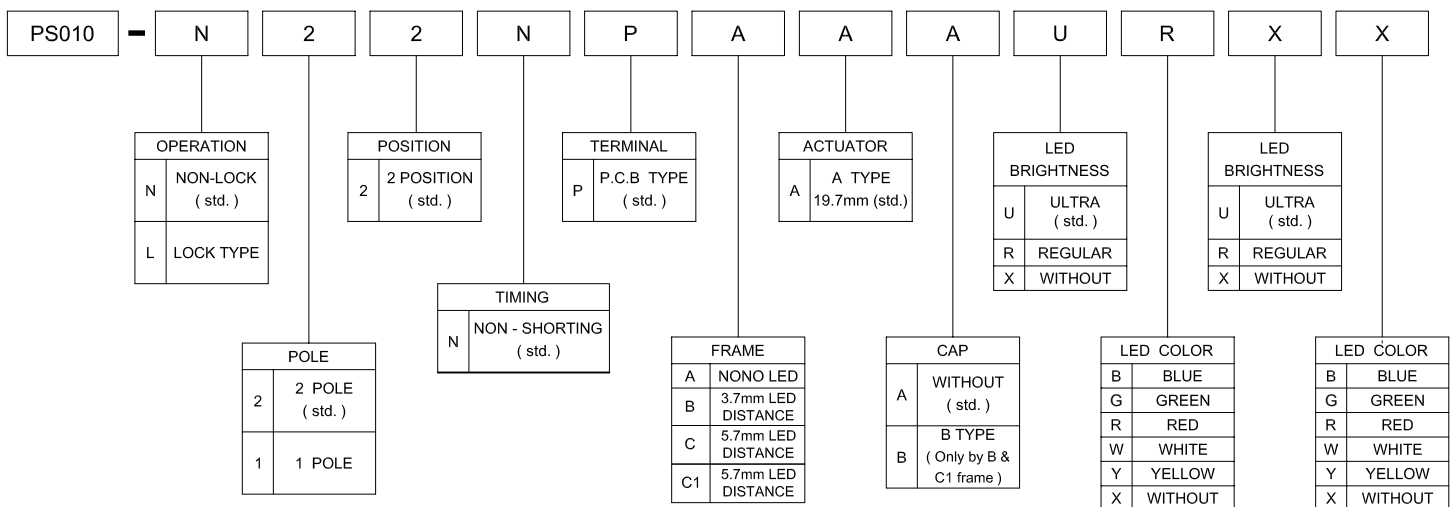
## ► SPECIFICATIONS

SWITCH SPECIFICATIONS	
POLE - POSITION	SPST , DPDT
CONTACT RATING	30 V DC , 0.1 A
CONTACT RESISTANCE	50 mΩ max. 1.5 V DC ; 100 mA , by Method of Voltage DROP
INSULATION RESISTANCE	100 MΩ min. 500 V DC for 1 minute
DIELECTRIC STRENGTH	Breakdown is not Allowable ; 500 V AC for 1 Minute
OPERATING FORCE	250 ± 100 gf
OPERATING LIFE	100,000 cycles
OPERATING TEMPERATURE RANGE	-20°C ~ 70°C
TOTAL TRAVEL / LOCK TRAVEL	2.5 ± 0.3 mm / 1.5 ± 0.3 mm

LED SPECIFICATIONS							
ATTENTION	LEDs are Electrostatic Sensitive devices	Unit	Value / LED Color				
			Blue	Green	Red	Yellow	
	(+) ○ — (−)						
FORWARD CURRENT	I <sub>f</sub>	mA	30	30	15	20	
REVERSE VOLTAGE	V <sub>r</sub>	V	5.0	5.0	5.0	5.0	
REVERSE CURRENT	I <sub>r</sub>	μA	10	10	10	10	
FORWARD VOLTAGE@20mA	V <sub>f</sub>	V	3.5-3.8	1.7-2.6	1.7-2.6	1.7-2.6	
LUMINOUS INTENSITY@20mA	I <sub>v</sub>	mcd	45	6	4	5	

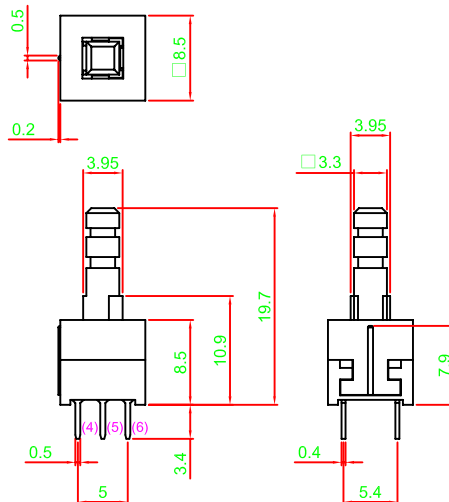
■ Physical and electrical information of LED will be provided upon customer's request on switches .

## ► HOW TO ORDER

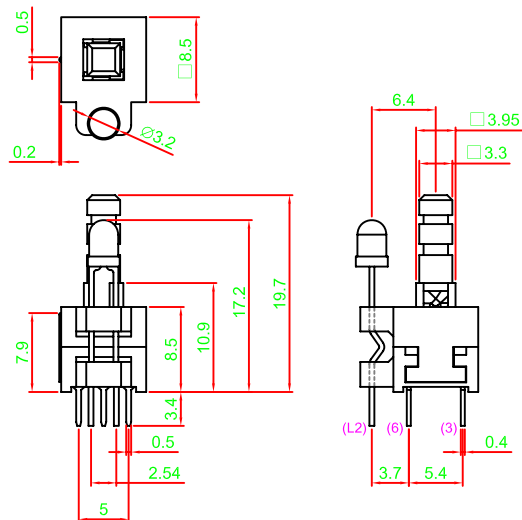


► DIMENSION

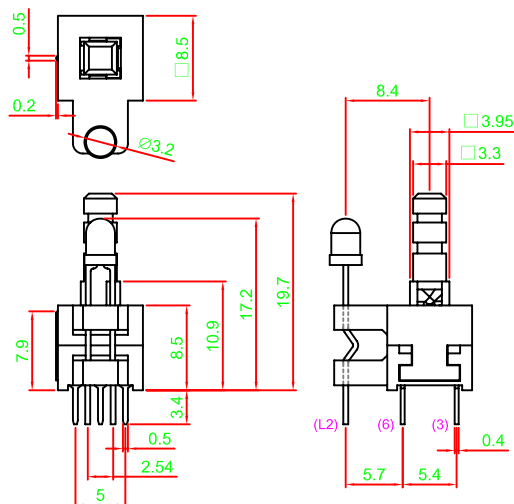
PS010 - N22NPAAAXXX



PS010 - N22NPBAA

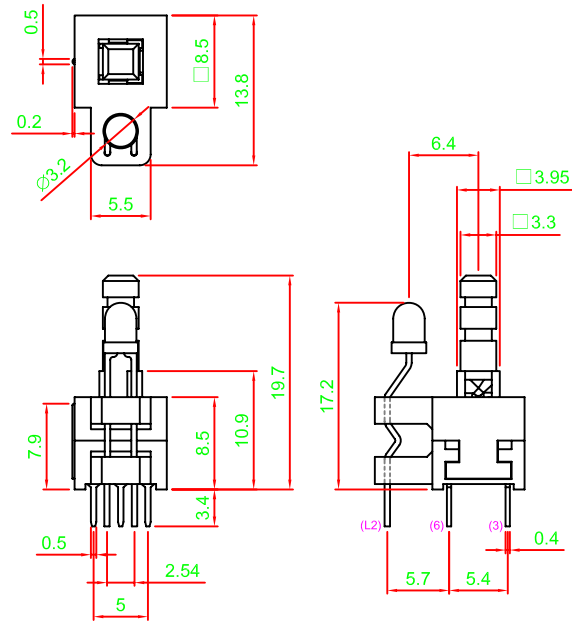


PS010 - N22NPCAA

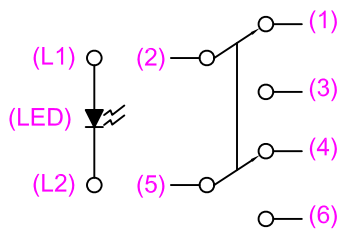


► DIMENSION

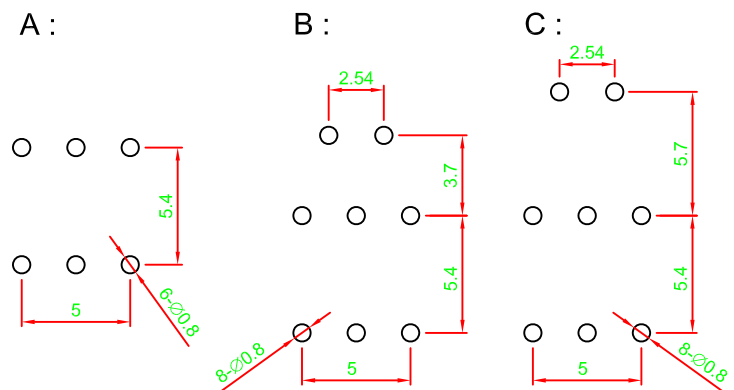
PS010 - N22NPC1AA □□□□



► CIRCUIT



► P.C.B LAYOUT



► KNOB OPTION



► MATERIAL

- ACTUATOR - PBT
- BASE FRAME - PA + GF
- TERMINAL - BRASS SILVER PLATING

► UNIT WEIGHT

- PS010 - N 2 2 N P A A □□□□ : 1.00 ± 0.05 g / pcs
- PS010 - N 2 2 N P B A □□□□ : 1.15 ± 0.05 g / pcs
- PS010 - N 2 2 N P C A □□□□ : 1.25 ± 0.05 g / pcs