



Feature -

- good actuation feeling
- full color LED illuminated available
- long electrical life cycles
- SPDT or DPDT, lock / non-lock function

Application -

- instrumentation
- communication equipments

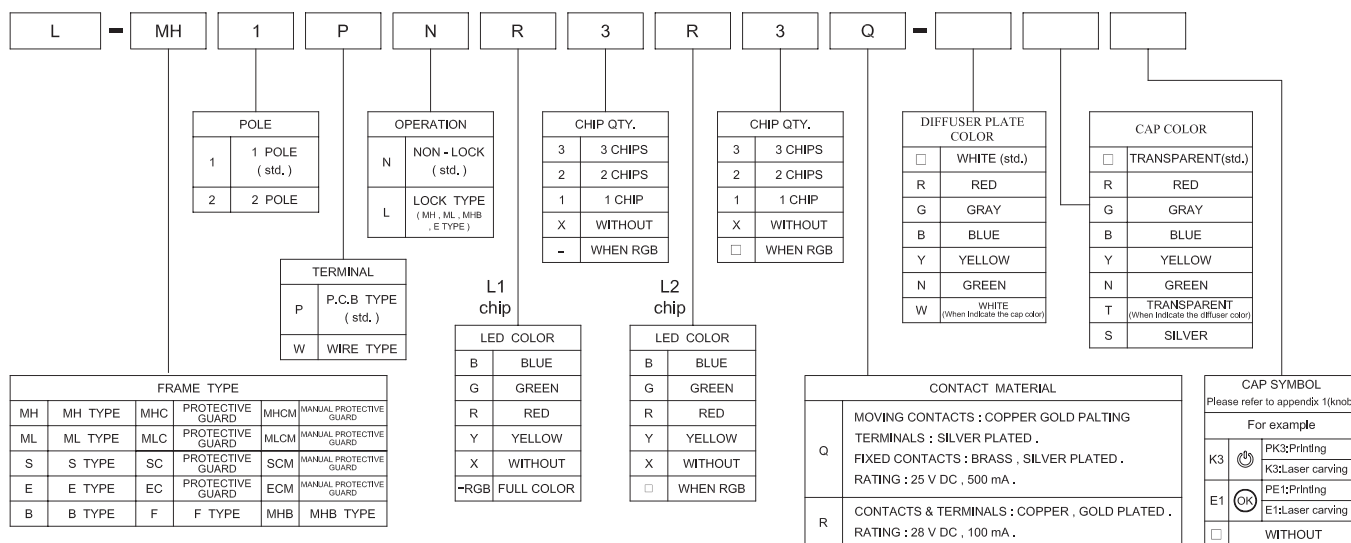
SPECIFICATIONS

| SWITCH SPECIFICATIONS | |
|-----------------------------|--|
| POLE - POSITION | ON - < ON > for Momentary Type , ON - ON for Self - Lock Type SPDT , DPDT |
| CONTACT RATING | SEE CONTACT MATERIAL |
| CONTACT RESISTANCE | 50 mΩ MAX. (SILVER CONTACT) ; 100 mΩ MAX. (GOLD PLATING CONTACT) , 1.5 V DC ; 100 mA , by Method of Voltage DROP |
| INSULATION RESISTANCE | 100 MΩ MIN. 500 V DC |
| DIELECTRIC STRENGTH | Breakdown is not Allowable ; 1000 V AC for 1 Minute |
| OPERATING FORCE | 200 ± 100 gf (SPDT) 300 ± 150 gf (DPDT) |
| OPERATING LIFE | 200,000 cycles (SILVER CONTACT) 200,000 cycles (GOLD PLATING CONTACT) |
| OPERATING TEMPERATURE RANGE | -20°C ~ 70°C |
| TOTAL TRAVEL | 2.2 ± 0.2 mm |

| LED SPECIFICATIONS | | Value / LED Color | | | |
|---|-----------------|-------------------|---------|---------|---------|
| ATTENTION LEDs are Electrostatic Sensitive devices | Unit | Red | Yellow | Green | Blue |
| | FORWARD CURRENT | If | 20 | 20 | 20 |
| REVERSE VOLTAGE | Vr | 5.0 | 5.0 | 5.0 | 5.0 |
| REVERSE CURRENT | Ir | 10 | 10 | 10 | 10 |
| FORWARD VOLTAGE@20mA | Vf | 1.7-2.2 | 1.7-2.2 | 1.8-2.4 | 2.7-3.7 |
| LUMINOUS INTENSITY@20mA | Iv | 230 | 230 | 410 | 585 |

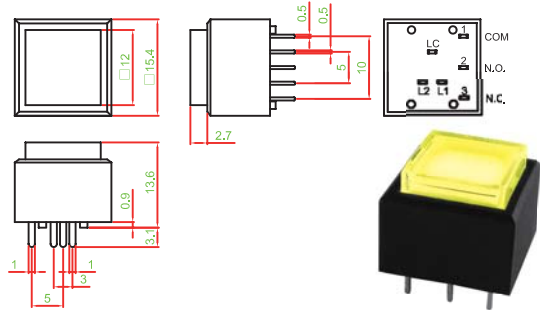
Physical and electrical information of LED will be provided upon customer's request on switches .

HOW TO ORDER

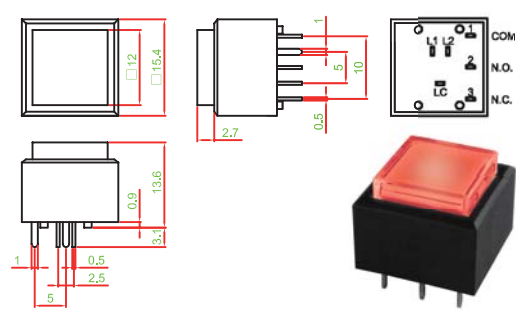


► DIMENSION & FRAME TYPE

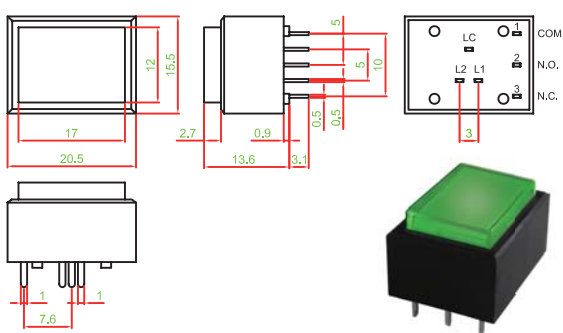
L - S1PN □□□□ Q



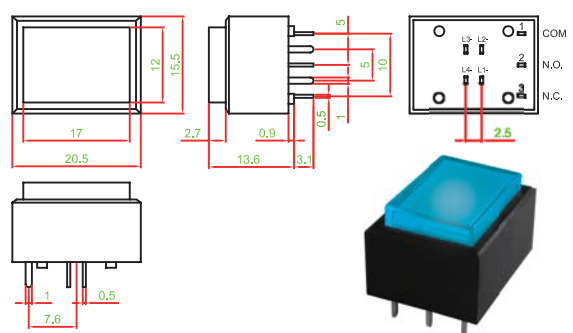
L - ML1PN □□□□ Q



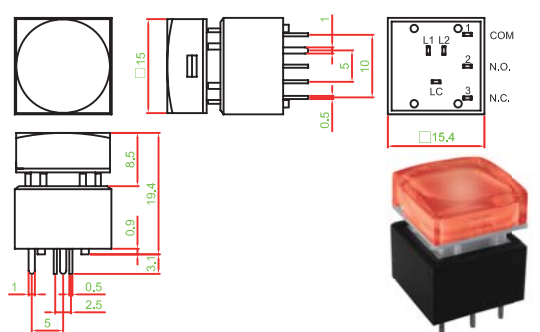
L - B1PN □□□□ Q



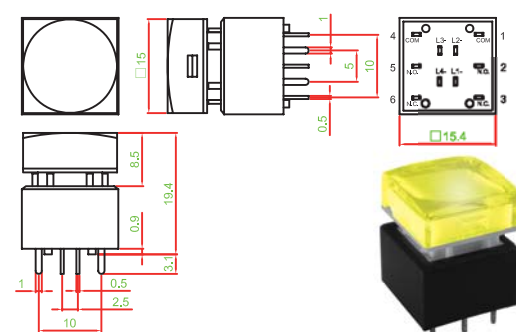
L - B1PN-RGB-Q



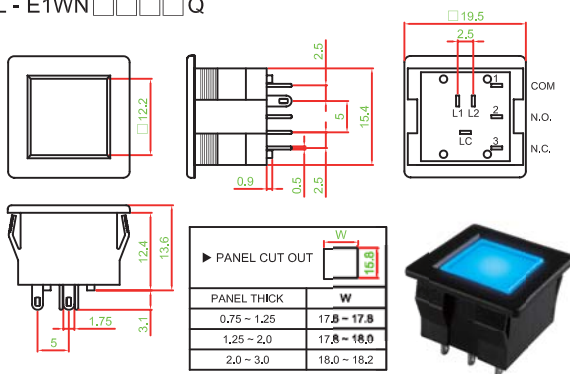
L - MH1PN □□□□ Q



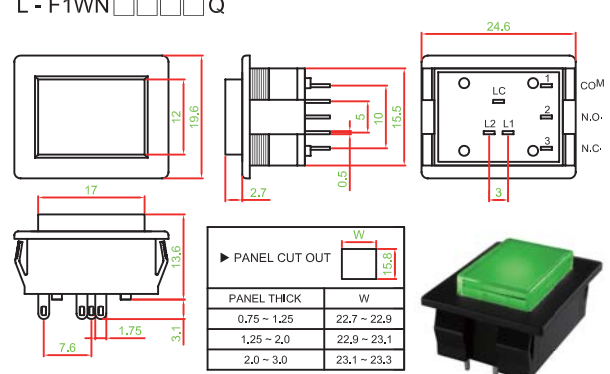
L - MH2PN-RGB-Q



L - E1WN □□□□ Q

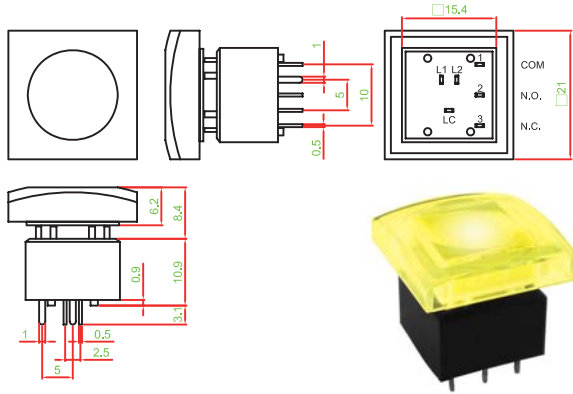


L - F1WN □□□□ Q

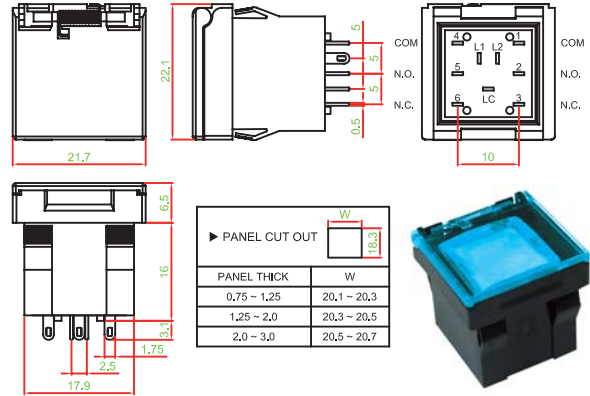


► DIMENSION & FRAME TYPE

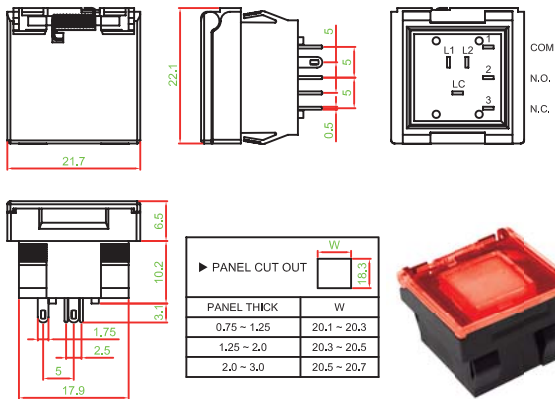
L - MHB1PN □□□□ Q



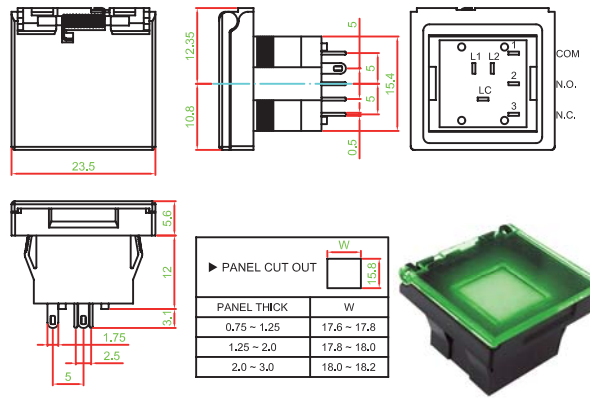
L - MHC2WN □□□□ Q



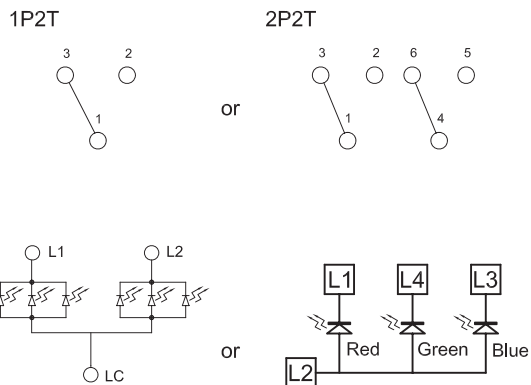
L - MLC1WN □□□□ Q



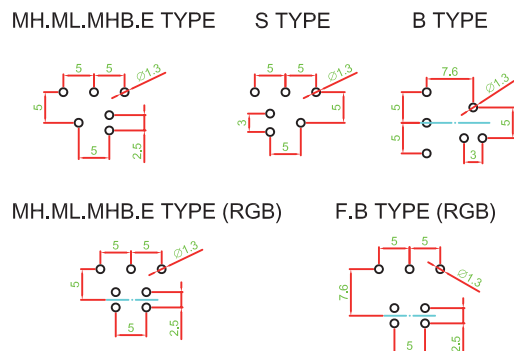
L - EC1WN □□□□ Q



► SCHEMATIC



► P.C.B LAYOUT



► MATERIAL

- COVER : PC
- BASE FRAME : PA + GF
- ACTUATOR : POM
- TERMINAL : Q : BRASS SILVER PLATING
R : BRASS GOLD PLATING

| | 0 | 1 | 2 | 3 | 4 | 5 | 6 | 7 | 8 | 9 | 10 | 11 | 12 | 13 | 14 | 15 | 16 | 17 | 18 | 19 | |
|---|------------|-------------|--------------|--------------|-----------|----------------|-------------|-------------|-------------|----------|--------|--------|--------|--------|-----------|--------|--------|--------|--------|--------|--|
| A | 0 | 1 | 2 | 3 | 4 | 5 | 6 | 7 | 8 | 9 | 10 | 11 | 12 | 13 | 14 | 15 | 16 | 17 | 18 | 19 | |
| B | A | B | C | D | E | F | G | H | I | J | CH5 | CH6 | DSK | PIP | C-KEY | CUT | TAKE | REC | ENG | PROD | |
| C | K | L | M | N | O | P | Q | R | S | T | REPLAY | RET1 | RET2 | KEY ON | AUTO TAKE | | | | | | |
| D | U | V | W | X | Y | Z | POWER | ON OFF | ON | OFF | | USER A | USER B | USER C | USER D | USER E | USER F | USER G | USER H | USER I | |
| E | OK | | Auto | Enter | Start | STOP | OPEN | CLOSE | Exit | Move | USER J | | | | | | | | M-1 | | |
| F | SET | Reset | Light | Alarm | Menu | Next | Back | Delete | Motor | Save | | | | | | | | | | | |
| G | Up | Down | Right | Left | Test | End | Insert | Lock | Print | +/- | | | | | | | | | | | |
| H | ESC | BC. | HOME | Health | D-LED 2 | OC GENIE | VIDEO INPUT | clr CMOS | Green Power | Save OK | | | | | | | | | | | |
| I | B/R | Undo Cancel | T/L | F1 | F2 | F3 | F4 | F5 | F6 | F7 | | | | | | | | | | | |
| J | F8 | F9 | F10 | F11 | F12 | F13 | F14 | IN 1 | IN 2 | IN 3 | | | | | | | | | | | |
| K | IN 4 | IN 5 | IN 6 | | | | | | | | | | | | | | | | | | |
| L | + | - | x | + | = | ↑ | → | | | | | | | | | | | | | | |
| M | | | | | | | ↑ | → | ↑ | → | | | | | | | | | | | |
| N | ↑ | → | ↑ | ← | ▲ | ▶ | ◀ | ▶ | ◀ | ▶ | | | | | | | | | | | |
| O | | | ↔ | ◊ | ◊ | | | | | | | | | | | | | | | | |
| P | | | | x | ✓ | | Config. | TIME LINE | ME1 | ME2 | | | | | | | | | | | |
| Q | ME3 | ME4 | BGND 3D DVE1 | BGND 3D DVE2 | BUS COLOR | ME BUTTON LINK | * | INSERT | WIPE | | | | | | | | | | | | |
| R | ⏮ | ALL | | VP | | COPY | | RECORD MODE | ↑ | | | | | | | | | | | | |
| S | | ♥ | MUTE | | Multi IOS | | | | | | | | | | | | | | | | |
| T | | hold | group | end | end | end | end | end | end | end | | | | | | | | | | | |
| U | end | end | chair | amb | amb | amb | amb | amb | amb | amb | | | | | | | | | | | |
| V | end | end | OC | | | CLEAR | CROSS WIND | AMMO TEMP | BARO PRESS | AIR TEMP | | | | | | | | | | | |
| W | BORE-SIGHT | CANT | LEAD | RANGE | MRS | ZERO | TEST | UD | LR | | | | | | | | | | | | |
| X | ID | Dlep | M/F | GALL | . | BAND | SETUP | MODE | LINK | FUNC. | | | | | | | | | | | |
| Y | SHIFT | | | | | DEL | | | | | | | | | | | | | | | |
| Z | | | | RUN | 2D | 3D | CH1 | CH2 | CH3 | CH4 | | | | | | | | | | | |