



SPECIFICATIONS

RATING: 30mA / 28VDC
 OPERATING SPEED: 10mm/sec
 ELECTRIC LIFE : 20,000 cycles
 FORCE 1: G5-7N
 FORCE 2: G11-14N
 FULL TRAVELS: 2.0mm

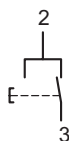
MATERIALS

PUSHER : POM Black
 DUST PROTETION CAP : POM Black
 CASE : PA Nature glass fiber reinforced
 SPRING : Piano wire
 CONTACT/TERMINALS : Brass plated



SWITCHN FUNCTION

SPST

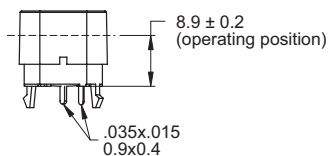
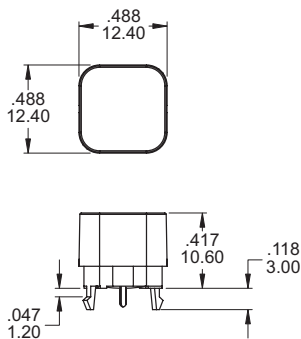


SPDT



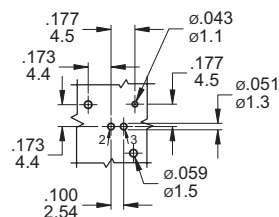
POLE OPTIONS

SPST

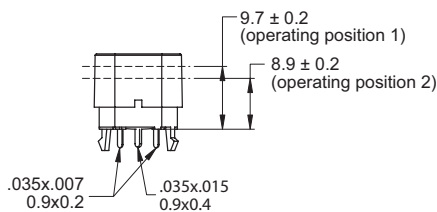
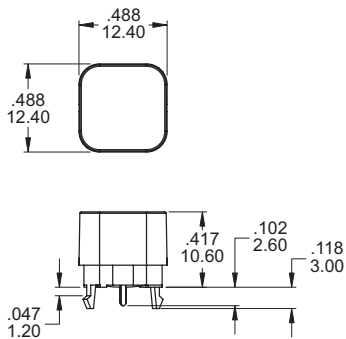


Part No. Shown : PS3001

P.C. MOUNTING

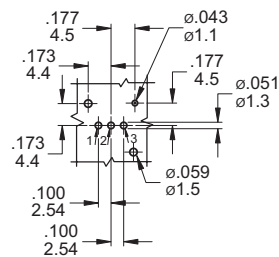


SPDT



Part No. Shown : PS3002

P.C. MOUNTING



PS3001/PS3002
Key Switches