

Feature -

- water proof IP67 sealed
- bi-color LED illuminated available
- SMT, right angle, and vertical PCB terminal

Application -

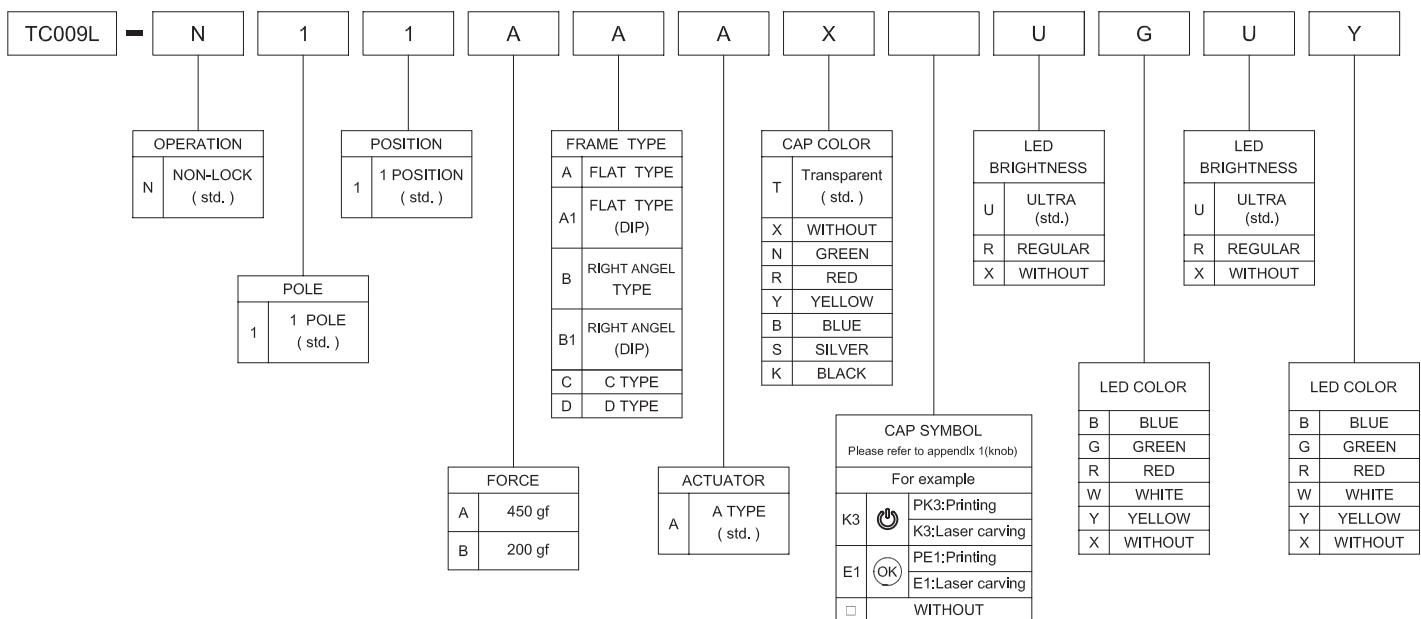
- consumer products
- computer products
- instrumentation
- communication equipments

► SPECIFICATIONS

SWITCH SPECIFICATIONS	
POLE - POSITION	Momentary action , SPST
CONTACT RATING	12 V DC , 50 mA
CONTACT RESISTANCE	50 mΩ MAX. 5 V DC ; 1 A , by Method of Voltage DROP
INSULATION RESISTANCE	1000 MΩ MIN. 100 V DC for 1 minute
DIELECTRIC STRENGTH	Breakdown is not Allowable ; 250 V AC for 1 Minute
OPERATING FORCE	200 ± 80 gf ; 450 ± 150 gf
OPERATING LIFE	500,000 cycles
OPERATING TEMPERATURE RANGE	-20°C ~ 70°C
TOTAL TRAVEL	0.45 ± 0.15 mm
SEALING	IP67

LED SPECIFICATIONS		Value / LED Color			
ATTENTION LEDs are Electrostatic Sensitive devices	Unit	Blue	Green	Red	Yellow
		FORWARD CURRENT	20	20	20
REVERSE VOLTAGE	5.0	5.0	5.0	5.0	
REVERSE CURRENT	10	10	10	10	
FORWARD VOLTAGE@20mA	3.5-3.8	2.0-2.5	2.0-2.5	2.0-2.5	
LUMINOUS INTENSITY@20mA	45	20	80	80	

► HOW TO ORDER

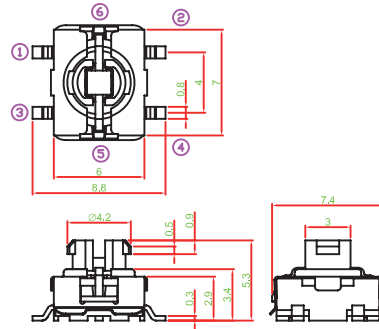


TC009L SERIES

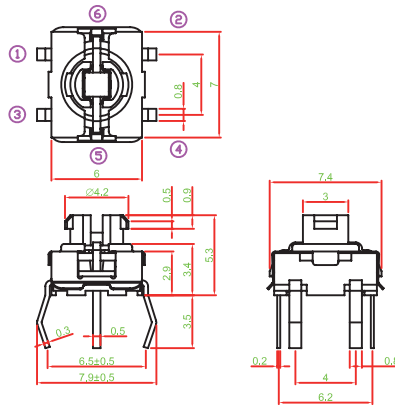
LED TACT SWITCH

► DIMENSION

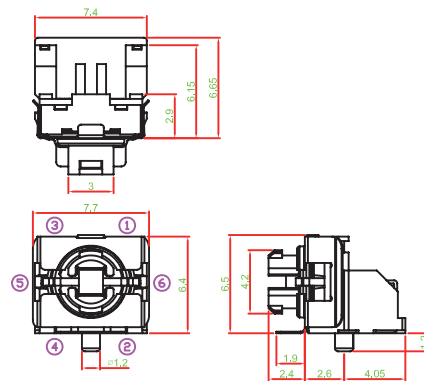
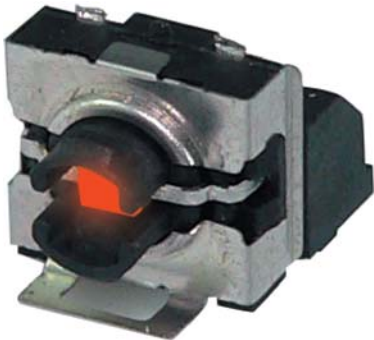
TC009L-N11AAAX □□□□



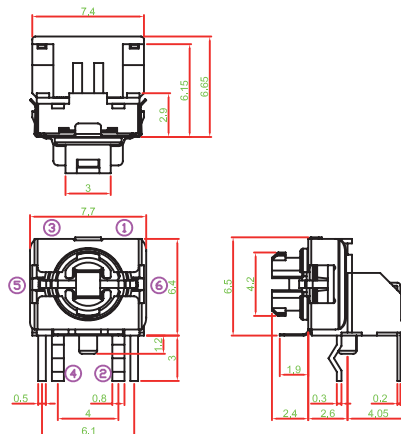
TC009L-N11AA1AX □□□□



TC009L-N11ABAX □□□□

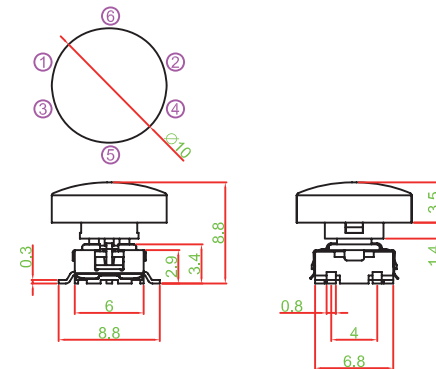
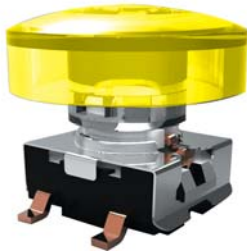


TC009L-N11AB1AX □□□□

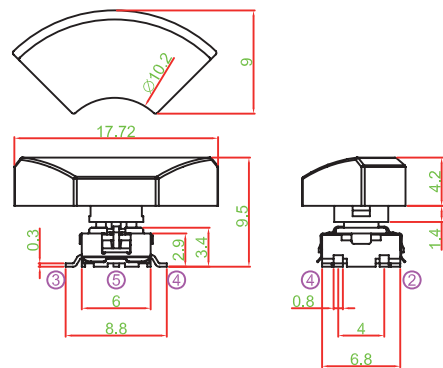


DIMENSION

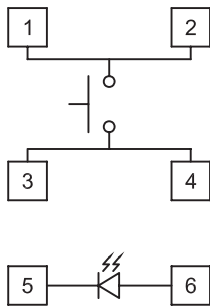
TC009L-N11ACAT □□□□



TC009L-N11ADAT □□□□

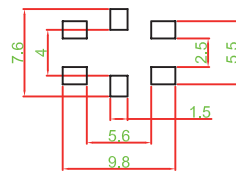


CIRCUIT DIAGRAM

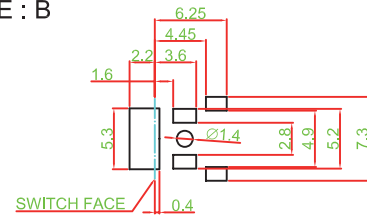


P.C.B. LAYOUT

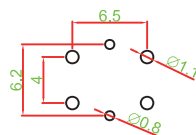
FRAME : A



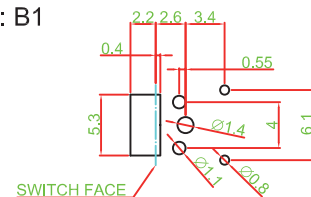
FRAME : B



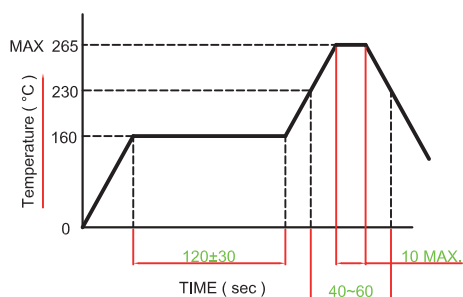
FRAME : A1



FRAME : B1



REFLOW SOLDERING



MATERIAL

- COVER : STAINLESS STEEL
- ACTUATOR : LCP+GF
- BASE : LCP+GF
- TERMINAL : BRASS SILVER PLATING
- SPRING PLATE : PHOSPHOR BRONZE SILVER PLATING

