

# TC018 SERIES

LED TACT SWITCH



## Feature -

- water proof IP67 sealed
- medium size,
- bi-color LED illuminated available
- long electrical life
- SMT and vertical PCB terminal

## Application -

- consumer products
- computer products
- instrumentation
- communication equipments

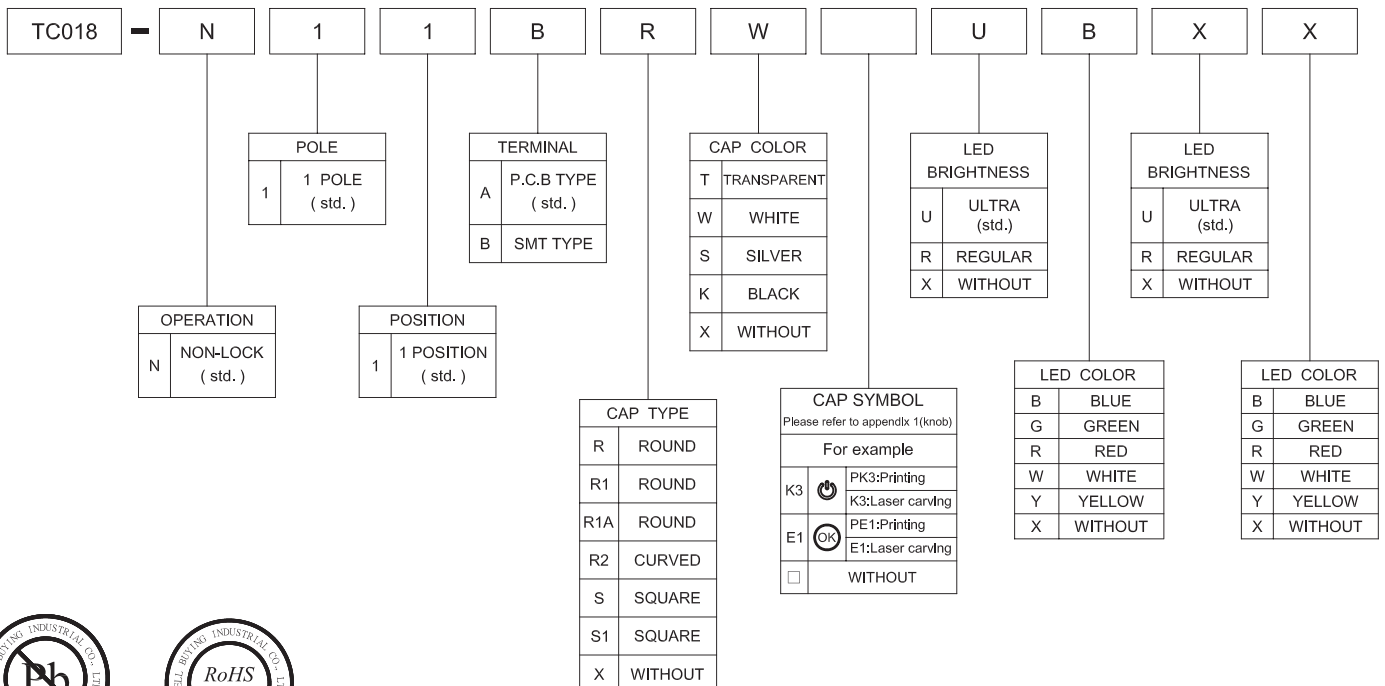
## ► SPECIFICATIONS

SWITCH SPECIFICATIONS	
POLE - POSITION	1P1T , with LED
CONTACT RATING	24 V DC , 50 mA
CONTACT RESISTANCE	50 mΩ MAX. 1.5 V DC ; 100 mA , by Method of Voltage DROP
INSULATION RESISTANCE	100 MΩ MIN. 500 V DC
DIELECTRIC STRENGTH	Breakdown is not Allowable ; 500 V AC for 1 Minute
OPERATING FORCE	300 ± 100 gf
OPERATING LIFE	1,500,000 cycles
OPERATING TEMPERATURE RANGE	-30°C ~ 85°C
TOTAL TRAVEL	1.0 ± 0.3 mm
SEALING	IP67

LED SPECIFICATIONS		Value / LED Color				
ATTENTION LEDs are Electrostatic Sensitive devices	Unit	Blue	Green	Red	White	Yellow
		FORWARD CURRENT If	mA	30	30	15
REVERSE VOLTAGE Vr	V	5.0	5.0	5.0	5.0	5.0
REVERSE CURRENT Ir	μA	10	10	10	10	10
FORWARD VOLTAGE@20mA Vf	V	3.5-4.0	1.7-2.8	1.7-2.8	3.3-3.8	1.7-2.8
LUMINOUS INTENSITY@10mA Iv	mcd	@20mA 180-245	24-40	4.0-7.0	@20mA 145	18-30

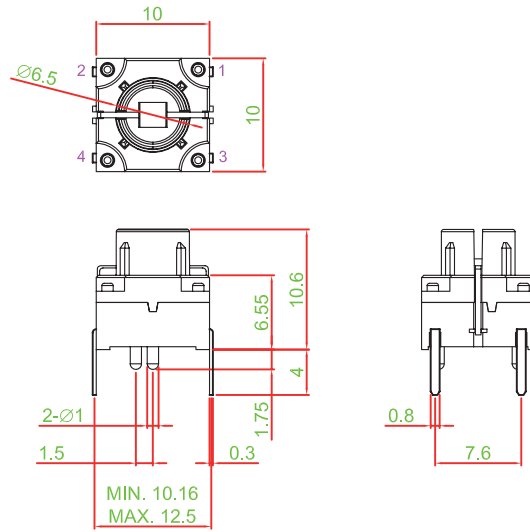
■ Physical and electrical information of LED will be provided upon customer's request on switches .

## ► HOW TO ORDER

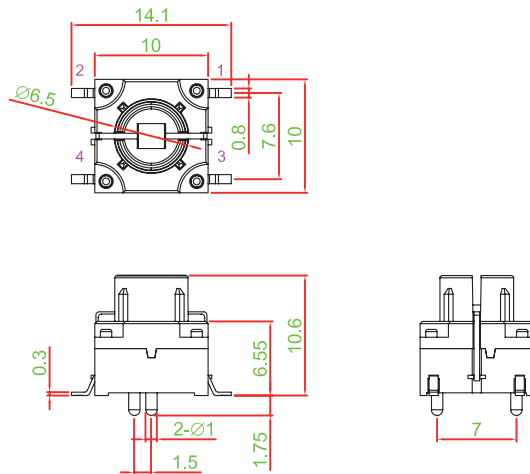


► DIMENSION

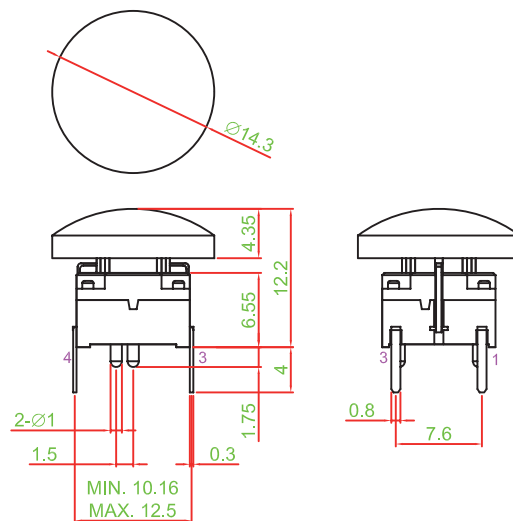
TC018-N11AXX □ □ □ □



TC018-N11BXX □ □ □ □



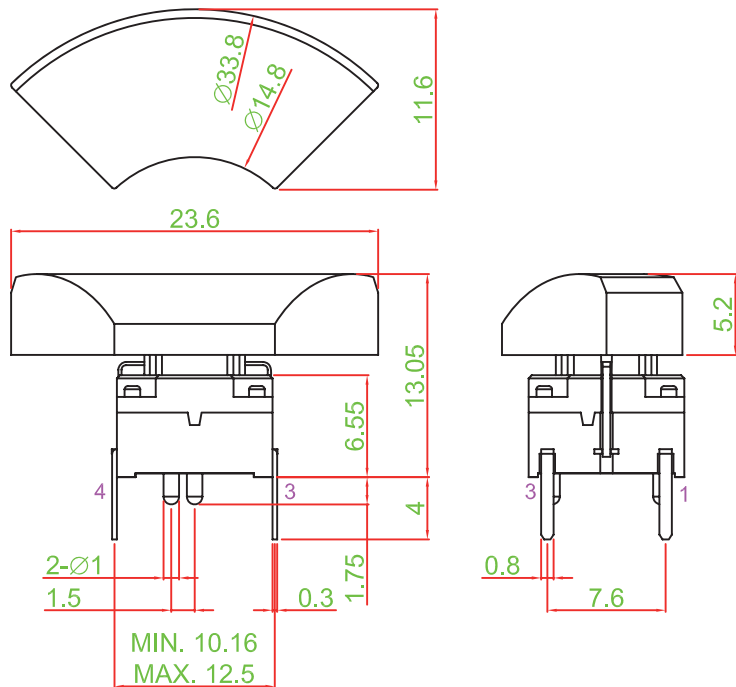
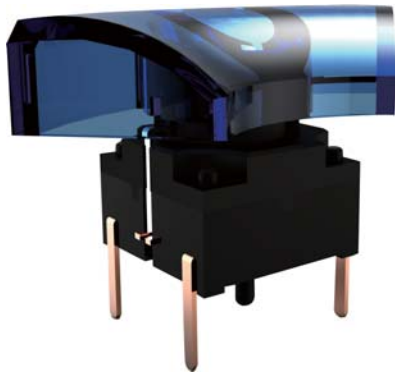
TC018-N11ART □ □ □ □





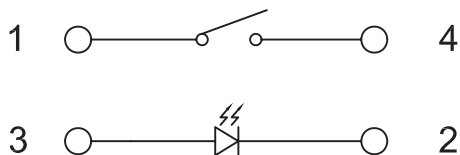
► DIMENSION

TC018-N11AR2T □ □ □ □



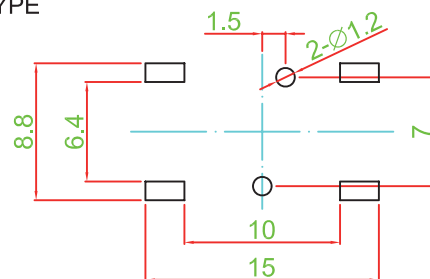
► CIRCUIT

SINGLE LED COLOR

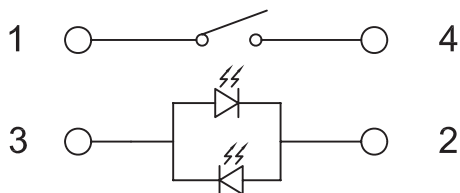


► P.C.B LAYOUT

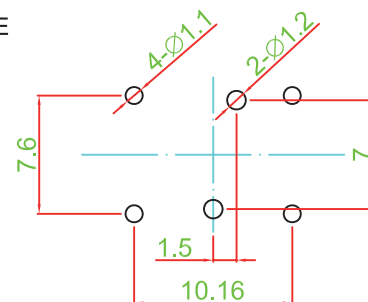
SMT TYPE



DUAL LED COLOR



P.C.B. TYPE



► MATERIAL

- ACTUATOR - PA
- TERMINAL - BRASS SILVER PLATING
- FRAME - PA
- SPRING - STAINLESS STEEL

► UNIT WEIGHT

- TC018-N11AXXUBXX : 0.88 ± 0.05 g / pcs
- TC018-N11BXXUBXX : 0.88 ± 0.05 g / pcs
- TC018-N11BRWUBXX : 1.22 ± 0.05 g / pcs

