



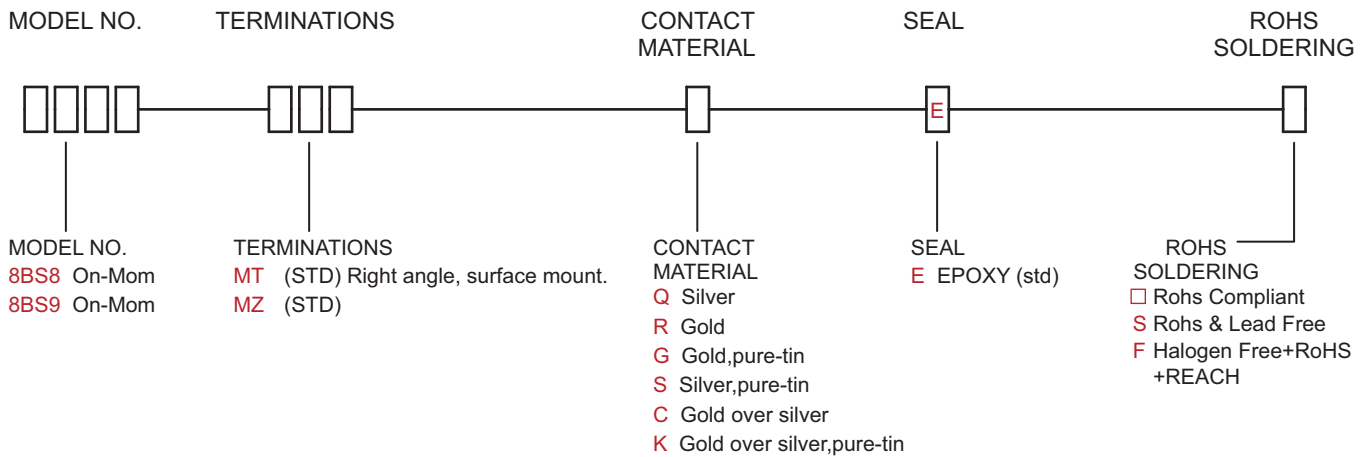
SPECIFICATIONS

CONTACT RATING: Dependent upon contact material.
MECHANICAL LIFE: 50,000 make-and-break cycles.
CONTACT RESISTANCE: 20mΩ max. initial @ 2-4VDC
 100mA for both silver and gold plated contacts.
INSULATION RESISTANCE: 1,000MΩ min.
DIELECTRIC STRENGTH: 1,000 V RMS@sea level.
OPERATING TEMPERATURE: -30°C to 85°C.

MATERIALS

CASE & BUSHING: Class filled nylon 4/6, flame retardant, heat stabilized (UL94v-0).
PLUNGER: Thenoplastic Polyester (UL 94V-0), with internal O-ring seal.
SWITCH SUPPORT: Brass, tin plated.
CONTACT / TERMINALS: Silver or gold plated copper alloy.

HOW TO ORDER



Pushbutton Switches

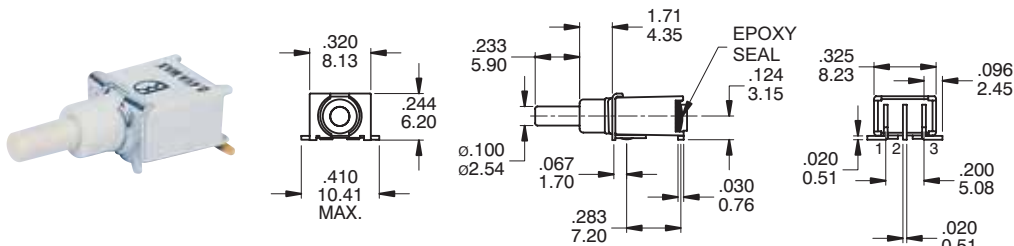
SWITCH FUNCTION

| NO. POLES | MODEL NO. | SWITCH FUNCTION | | CONNECTED TERMINALS / SCHEMATIC | |
|-----------|-----------|-----------------|-------|---------------------------------|---------|
| | | POS.1 | POS.2 | POS.1 | POS.2 |
| | | | | | |
| SP | 8MS8 | ON | MOM | 2-1 | 2-3 |
| | 8MS9 | OFF | MOM | OPEN | 1-3 |

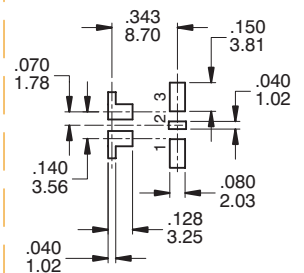
MOM=MENTORY

POLE OPTIONS

MT



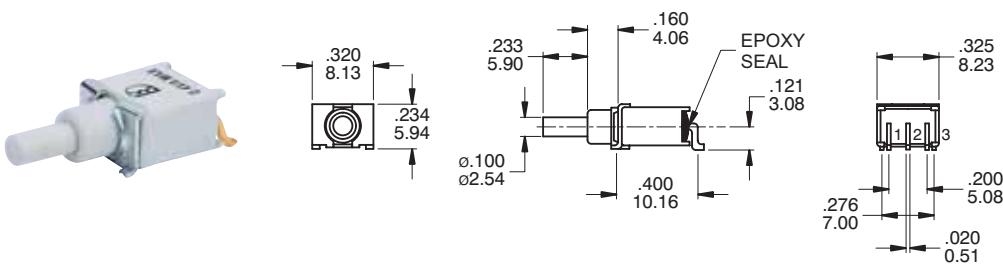
P.C. MOUNTING



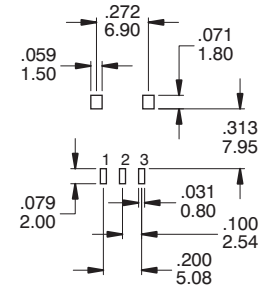
SPDT

Part No. Shown : 8BS8MTRE

MZ



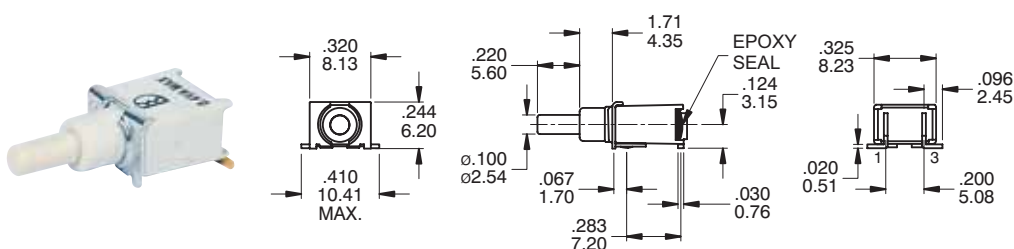
P.C. MOUNTING



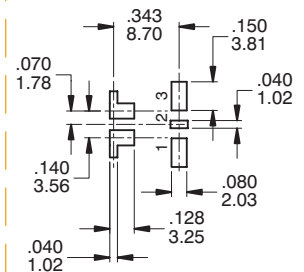
SPDT

Part No. Shown : 8BS8MZRE

MT



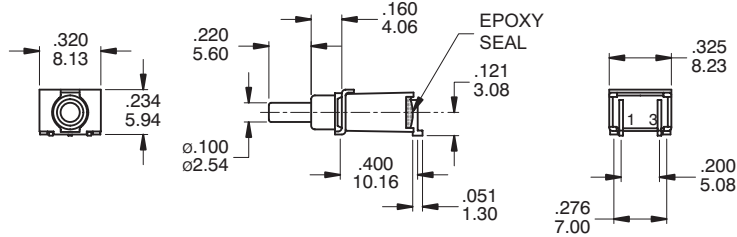
P.C. MOUNTING



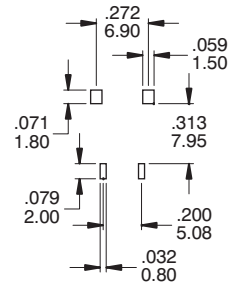
SPST

Part No. Shown : 8BS9MTRE

MZ



P.C. MOUNTING

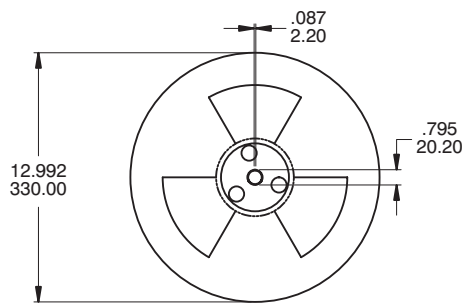


SPST

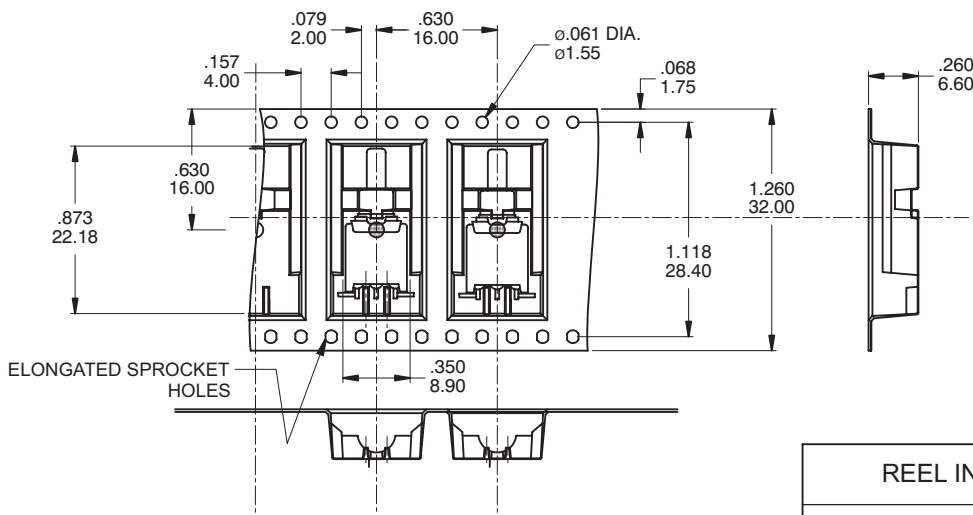
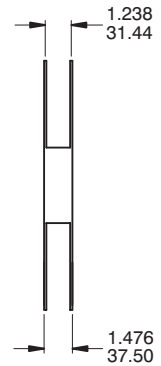
Part No. Shown : 8BS9MZRE

PACKAGING

Switches available on embossed antistatic tape and reels.
Tape and cover strip are conductive for use near statically sensitive components.



SCALE: 10 : 1



SCALE: 1 : 1

REEL INFORMATION

| | |
|-------------------|-----------|
| QUANTITY PER REEL | 500 / pcs |
|-------------------|-----------|



SOLDERING PROCESSES

MANUAL SOLDERING : Use soldering iron of 30 watts, controlled at 350°C approximately 5 seconds while applying solder.

WAVE SOLDERING : Recommended Soldering Temperature : 260 ± 5°C
Duration of Solder Immersion : 5 ± 1 seconds
(PCB is 1.6mm in thickness)

SOLDERING : Vapor phase & IR-reflow soldering can be applied.

