

# LC83 Series

Pushbutton Switches



## SPECIFICATION

Electrical Rating : 15A 250VAC/125VAC(UL)  
10(4)A 250VAC(VDE)  
Mechanical life: Over 30000 cycles  
Electrical life: Over 10000 cycles  
Contact resistance: <20mΩ  
Insulation resistance: >1000MΩ  
High voltage resistance: >1500V 1 min.  
Ambient temperature: Terminal side -20 to +85°C  
Actuating side -20 to +55°C  
Storage temperature: -30 to +80°C Max  
Atmospheric humidity: Max.85%  
Actuating force: 3 to 6N(Depends on different switch function)  
Flammability: 94V-2  
Temperature rise at the terminal: Max 30°C (UL1054)  
Solder ability of terminal: Max 350°C, 3s

## MATERIALS



Housing: PA66  
Rocker: PC  
Contacts: Silver alloy  
Terminal: Copper silver plated  
Spring: SUS  
Movable Arm: Copper silver plated  
Lamp: Neon Lamp, Tungsten Lamp  
Bracket: PA66



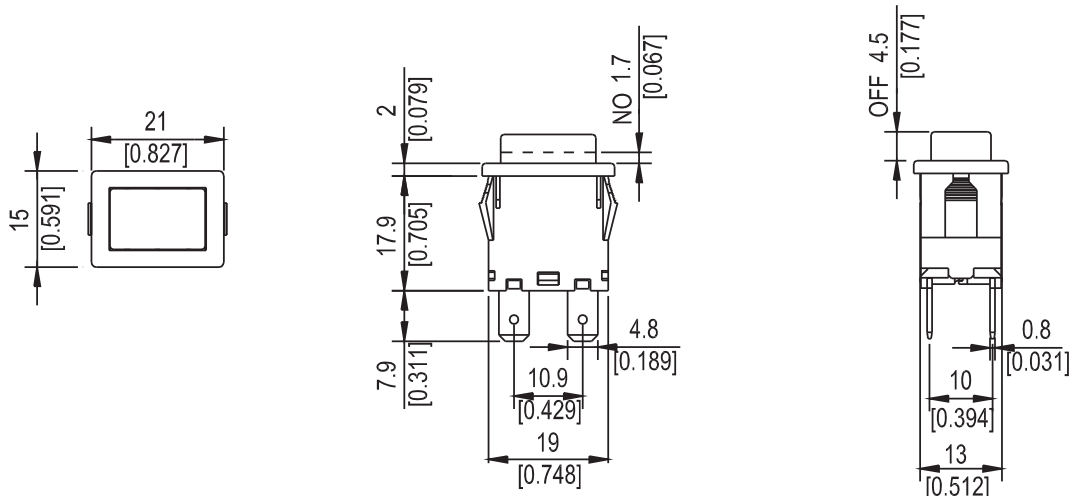
## HOW TO ORDER

LC83	01	K	K	E	T	0	C
Series	Switch Function	Housing Color	Actuator Color	Marking	Terminal Type	Lamp Voltage	Safety Approval
Series				E   No Marking			
	01 ON - OFF		W White			0 No lamp	
	02 (ON) - OFF		K Black			1 125V AC	
	03 ON-OFF (with lamp)		R Red			2 250V AC	C 4 Safety Approvals
	04 (ON) - OFF(with lamp)	W White	Y Yellow(illu)			3 12V DC	E None Approvals
	05 ON - OFF	K Black	M Green(illu)			4 24V DC	
	06 (ON) - OFF		D Red(illu)		T Quick connect tab type		
	07 ON-OFF(with lamp)						
	08 (ON)-OFF(with lamp)						

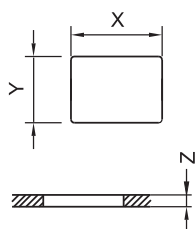
## OPTIONS OF SWITCH FUNCTION

Item No	POLES&THROWS	Push button position ( ):Momentary		
		Down	Center	Up
				
LC8301	SPST	ON	None	OFF
LC8302	SPST	(ON)	None	OFF
LC8303	SPST(with lamp)	ON	None	OFF
LC8304	SPST(with lamp)	(ON)	None	OFF
LC8305	DPST	ON	None	OFF
LC8306	DPST	(ON)	None	OFF
LC8307	DPST(with lamp)	ON	None	OFF
LC8308	DPST(with lamp)	(ON)	None	OFF

## DIMENSION



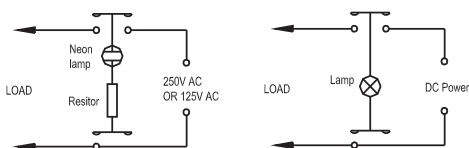
## PANEL CUT OUT



Z	Y	X
0.70~1.25	12.90~13.00	19.10~19.20
1.25~2.00	12.90~13.00	19.30~19.40
2.00~3.00	12.90~13.00	19.50~19.60

## CIRCUITS FOR SWITCH WITH LAMP

Circuits for LC8303,LC8304



Circuits for LC8307,LC8308

