

● SPECIFICATIONS

SPECIFICATIONS

CONTACT RATING: 1A 125VAC.

ELECTRICAL LIFE: 30,000 make-and-break cycle at full load.

CONTACT RESISTANCE: 20mΩ max, initial @ 2-4VDC.

100mA for both coin silver and gold plated contacts.

INSULATION RESISTANCE: 100mΩ min.

DIELECTRIC STRENGTH: 1500 V RMS @ sea level.

OPERATING TEMPERATURE: -30° C to 85° C.

CIRCUIT: S.P.S.T.

HOW TO ORDER

Model No.

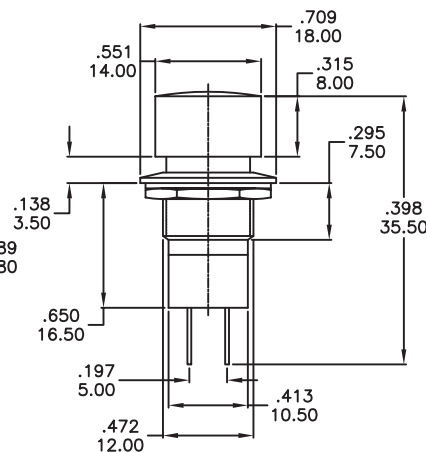
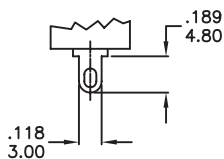
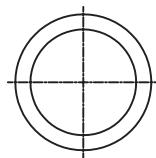
Cap Color



PS21A	OFF-ON	
PS21B	OFF-(ON)	1(White)
PS23A	OFF-ON	2(Black)
PS23B	OFF-(ON)	3(Red Std.)
PS24A	OFF-ON	4(Orange)
PS24B	OFF-(ON)	5(Yellow)
PS25A	OFF-ON	6(Green)
PS25B	OFF-(ON)	7(Blue)
PS26A	OFF-ON	8(Brown)
PS26B	OFF-(ON)	9(Gray)
PS27A	OFF-ON	
PS27B	OFF-(ON)	
PS28A	OFF-ON	
PS28B	OFF-(ON)	
PS29A	OFF-(ON)	
PS29B	ON-(OFF)	
PS29C	OFF-ON	
PS32A	OFF-ON	
PS32B	OFF-(ON)	



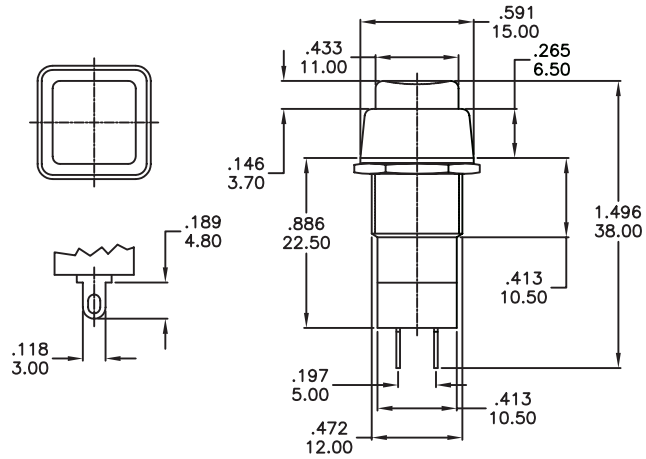
PS21



Model No.	TYPE
PS21A	OFF-ON (LOCK)
PS21B	OFF-(ON)
PS21C	ON-(OFF)



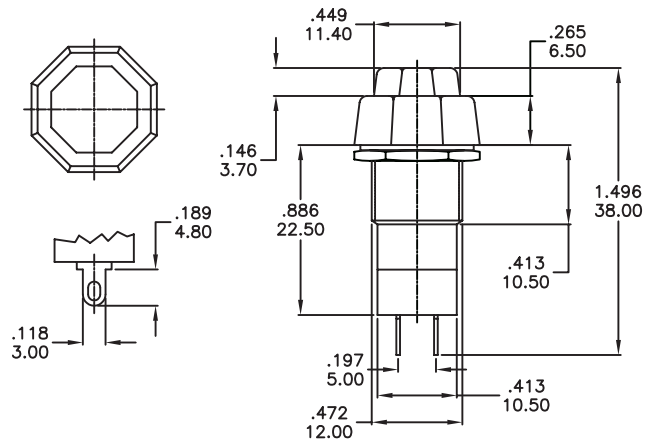
PS23



Model No.	TYPE
PS23A	OFF-ON (LOCK)
PS23B	OFF-(ON)
PS23C	ON-(OFF)



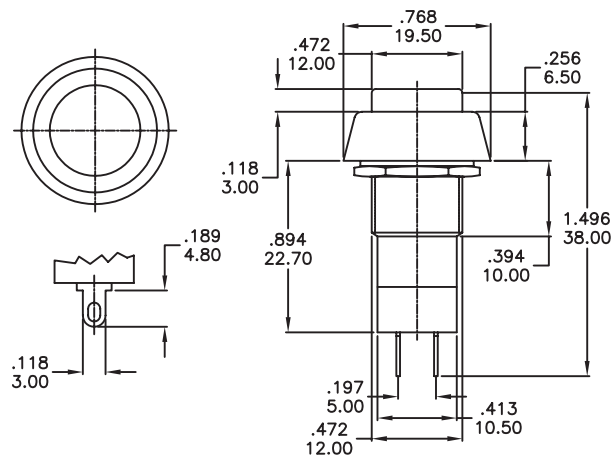
PS24



Model No.	TYPE
PS24A	OFF-ON (LOCK)
PS24B	OFF-(ON)



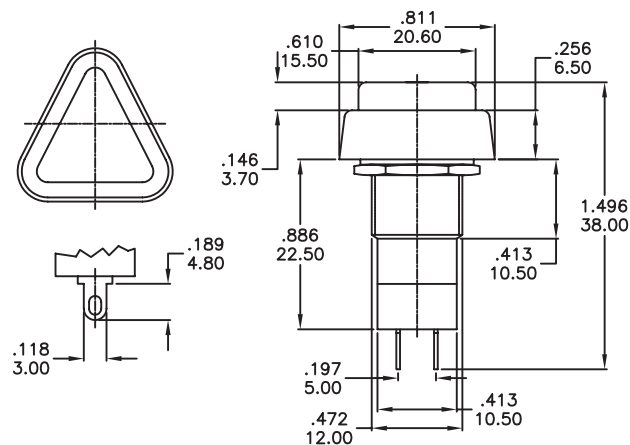
PS25



Model No.	TYPE
PS25A	OFF-ON (LOCK)
PS25B	OFF-(ON)
PS25C	ON-(OFF)



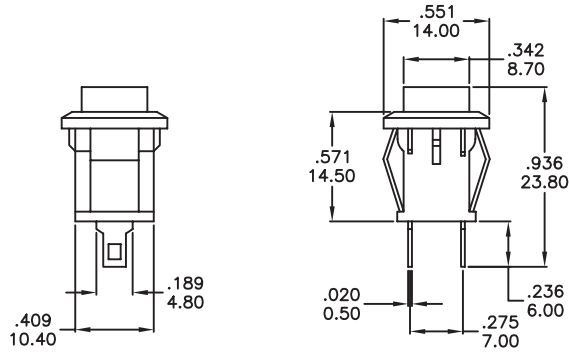
PS26



Model No.	TYPE
PS26A	OFF-ON (LOCK)
PS26B	OFF-(ON)



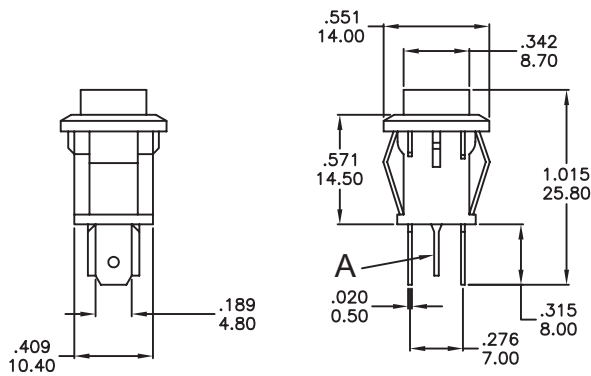
PS27



Model No.	TYPE
PS27A	OFF-(ON)
PS27B	(OFF)-ON



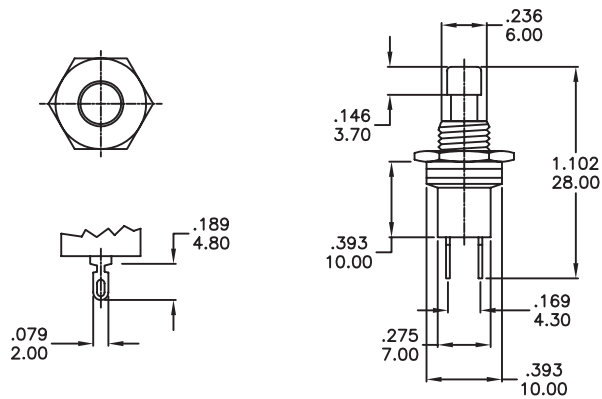
PS28



Model No.	TYPE	A
PS28A	OFF-(ON)	X
PS28B	OFF-(ON)	V



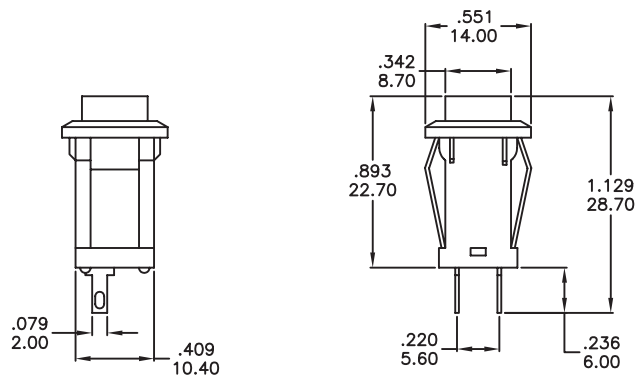
PS29



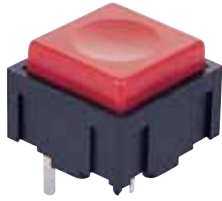
Model No.	TYPE
PS29A	OFF-(ON)
PS29B	ON-(OFF)
PS29C	OFF-NO (LOCK)



PS32



Model No.	TYPE
PS32A	OFF-ON (LOCK)
PS32B	OFF-(ON)



● **SPECIFICATIONS:**

RATING: 25mA @ 50VDC

ELECTRICAL LIFE: 1,000,000 cycles typical

CONTACT RESISTANCE: 10m max typical at 2-4VDC, 100mA

INSULATION RESISTANCE: 1,000M min.

DIELECTRIC STRENGTH: >1,000V rms at sea level

OPERATING FORCE: 120 ±50gf

MATERIALS

HOUSING: 6/6 Nylon

COVER / CAP: ABS or Polycarbonate

DOME CONTACT: Gold over stainless steel

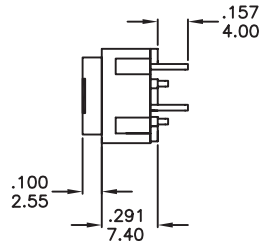
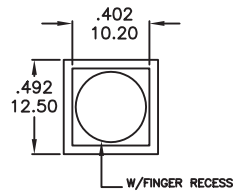
TERMINALS / CONTACTS: Silver plated copper alloy

HOW TO ORDER

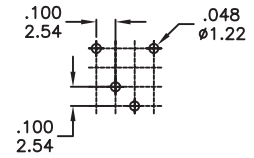
Model No.	Circuit	Cap Style	Cap Color
PS	1012	A B C D E F	1=White 2=Black 3=Red 4=Orange 5=Yellow 6=Green 7=Blue 8=Brown 9=Gray 0=Perple



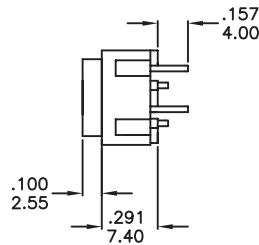
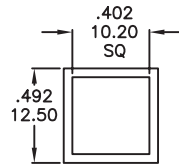
PS-1012-A3



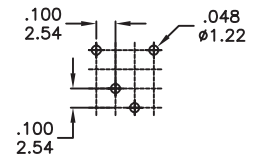
P.C. MOUNTING



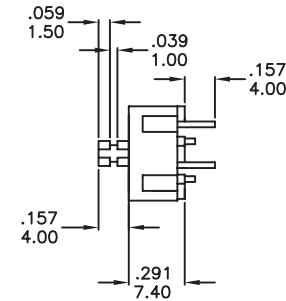
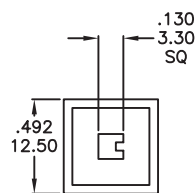
PS-1012-B3



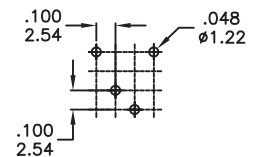
P.C. MOUNTING



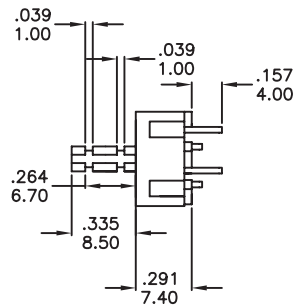
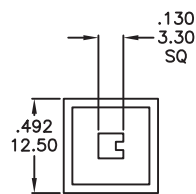
PS-1012-C2



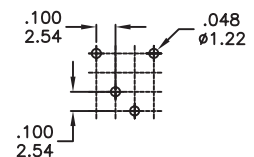
P.C. MOUNTING



PS-1012-D2

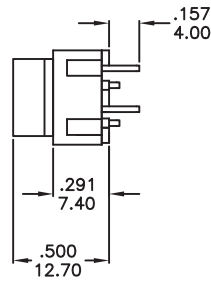
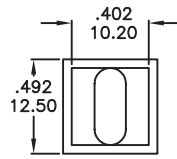


P.C. MOUNTING

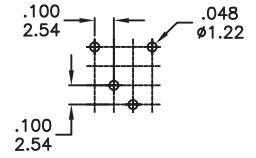




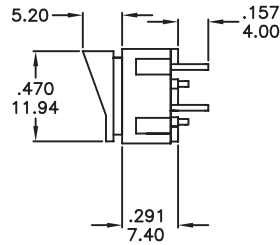
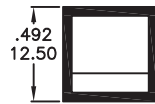
PS-1012-E3



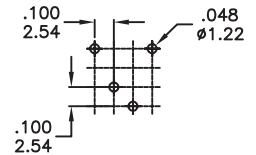
P.C. MOUNTING



PS-1012-F3



P.C. MOUNTING

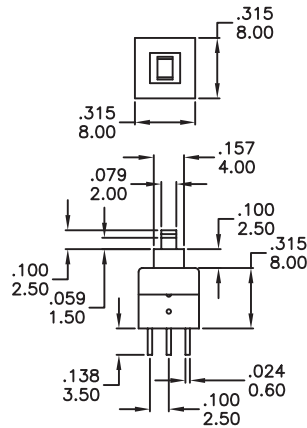


CAP OPTIONS

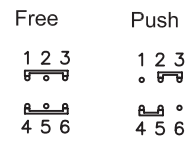
	<i>PS001</i>	<i>PS002</i>	<i>PS003</i>	<i>PS004</i>	<i>PS005</i>	<i>PS006</i>
COLORS	Black / White / Gray	Black / White / Gray / Red / Chrome	Black / Gray / White / Red	Black / Gray	Black / White / Gray / Red / Chrome / Blue	Black / Gray / White / Red



BS800



Model No.	Function
BS800N	OFF-MOM
BS800L	OFF-ON (LOCK)

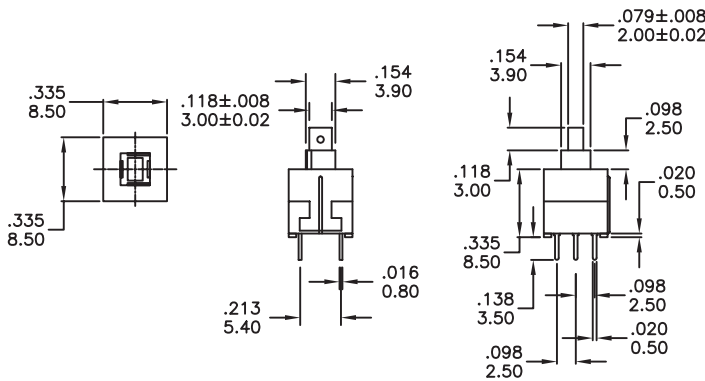


SPECIFICATION

1. Rating : DC 30V 0.1A
2. Circuit : 2C-2P
3. Timing : Non-shoreing or S-Shoreing
4. Operating Mode : Self Lock
Non-Lock
5. Travel : Full 2.5
Lock 1.5
6. Operating Force : 160 ±80gf



BS850

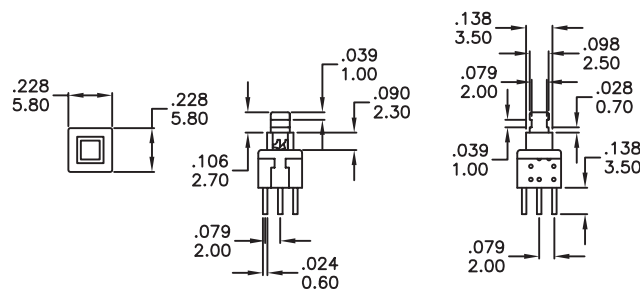


SPECIFICATION

1. Rating : DC 30V 0.3A
2. Circuit : 2C-2P
3. Timing : Non-shoreing or S-Shoreing
4. Operating Mode : Self Lock
Non-Lock
5. Travel : Full 2.5
Lock 1.5
6. Operating Force : 200 ± 80gf



PS580L

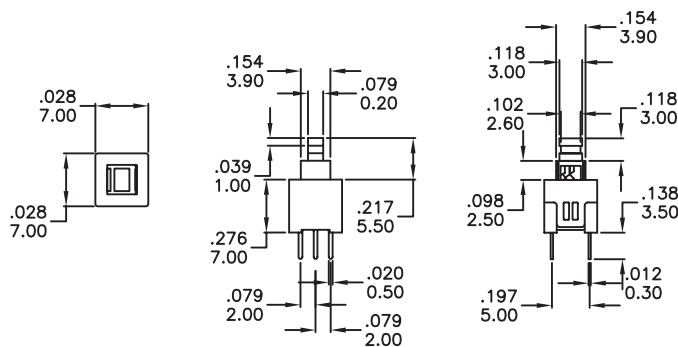


SPECIFICATION

1. Rating : DC 12V 0.1A
2. Circuit : 2C-2P
3. Timing : Non-shoreing or S-Shoreing
4. Terminal : p.c.board terminal
5. Operating Mode : Non-Lock
6. Travel : Lock 1.8
Lock 1.0
7. Operating Force : 150 ±80gf



PS701



SPECIFICATION

1. Rating : DC 30V 0.1A
2. Circuit : 2C-2P
3. Timing : Non-shoreing or S-Shoreing
4. Operating Mode : Self Lock
Non-Lock
5. Travel : Full 1.8
Lock 1
6. Operating Force : 150 ±80gf

LED - FREE SOLDERING CONDITIONS

ITEM	LEAD - FREE SOLDERING CONDITION
HAND SOLDERING	350°C±10°C / 5 sec max.
WAVE SOLDERING	Pre - Heat 100°C/60 sec 260°C±5°C / 5 sec
REFLOW SOLDERING	

RoHS COMPLIANT

- The limit value that we declare.
- Pb<100 ppm
- Cd<75 ppm
- Hg<2 ppm
- Cr6<2 ppm
- PBB<0 ppm
- PBDE<0 ppm
- Start from jan 2005.

The recommendations are for these series as below

NHDS , EPI , EPM , DS , DA , DP , MSS, SS , DTS , TA3 , TA4 , TML , MTA , TE , TL , RH , RV , RM , PT , TMG