



General Specifications

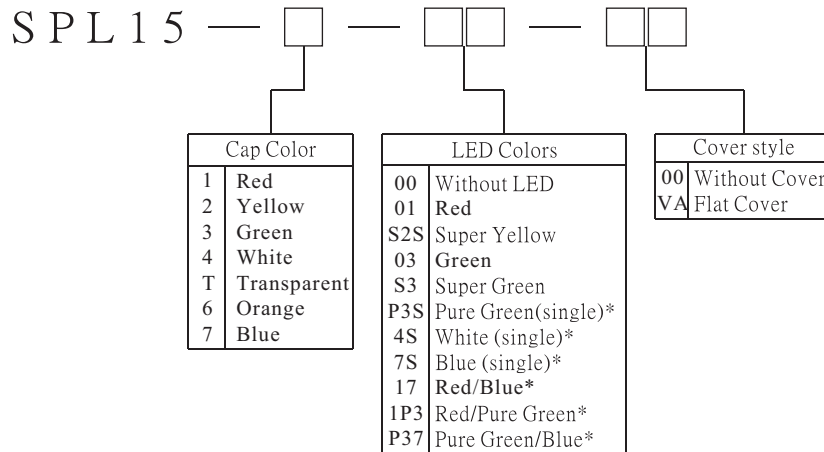
Circuit	:SPST
Current Rating	:50mA @ 12VDC
Contact Resistance	:100mOhm Max.(initial)
Insulation Resistance	:100MOhm Min.
Operating Force	:250gf± 50gf
Total Travel	:0.3mm± 0.1mm
Operating Life	:5,000,000 cycles Min.
Operating Temperature	:-25 deg.~+60 deg.
Solder Specifications	:260 deg. for 3 seconds

Materials

Cover	:Polycarbonate (PC)
Cap	:Polycarbonate (PC) or Acrylonitrile Butadine Styrene(ABS)
Reflector	:Polycarbonate (PC)
Base	:Polyamide (PA)
Lamp Term.	:Phosphor bronze (PBS) with gold plating
Act. Dome	:Phosphor bronze (PBS) with silver plating
End Term.	:Brass with gold plating
LED	:Surface Mount Chip LED

HOW TO ORDER

for Standard Style

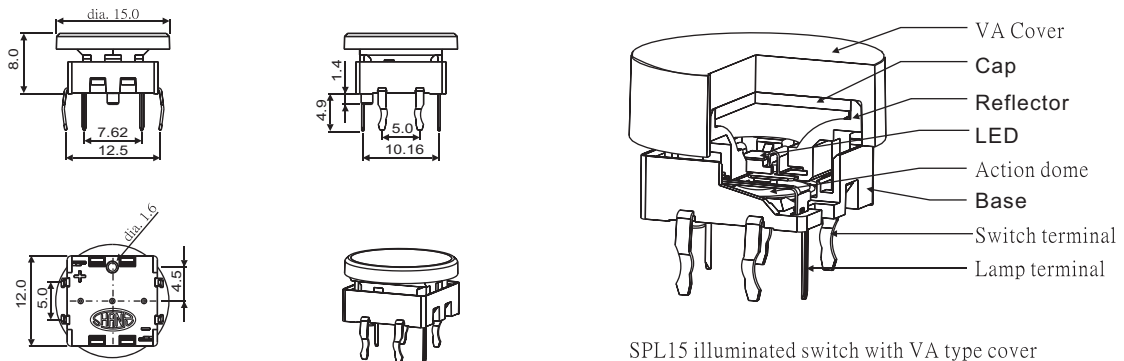


EXAMPLE : SPL15-1-01-VA
Illuminated tact switch -Red cap-Red led-VA cover.

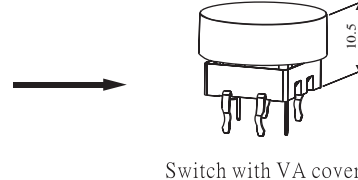
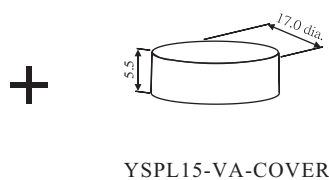
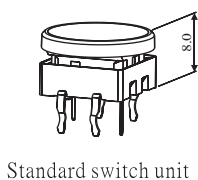
"*" not standard type
please inquire first

DIMENSION

for Standard Style

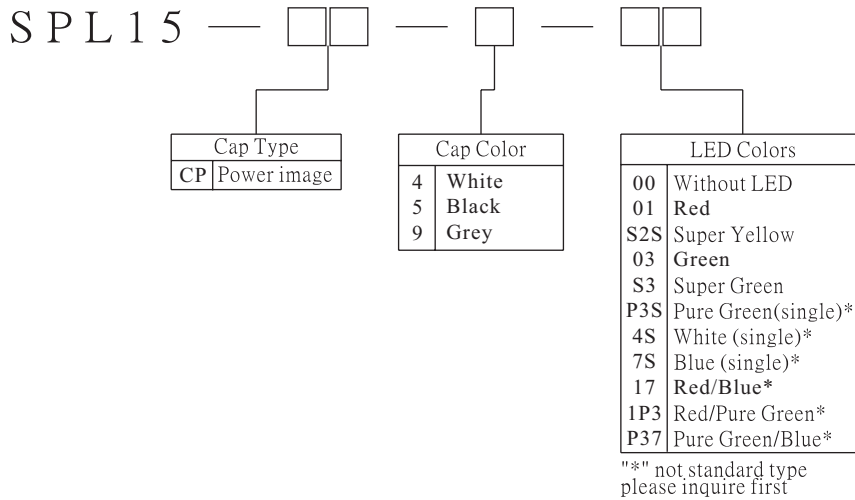


SPL15 illuminated switch with VA type cover



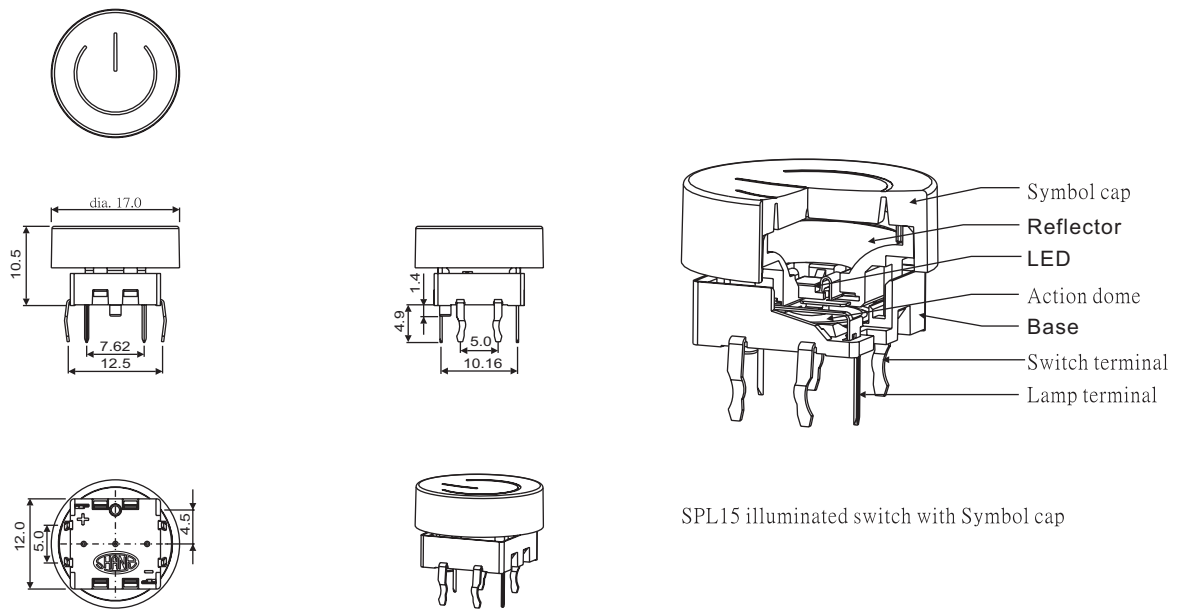
HOW TO ORDER

for Symbol Style

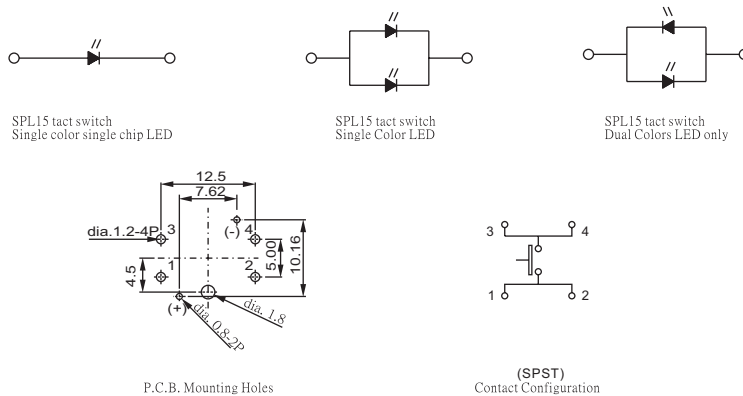


DIMENSION

for Symbol Style



CONFIGURATION

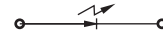


LED CHARACTERISTICS

The electrical specifications shown are determined at a basic temperature of 25 °C. If the source voltage exceeds the rated voltage of LED, a ballast resistor must be connected in series with the LED.



Attention: LED are electrostatic sensitive devices



Single color	Forward Voltage V_f (V) at 20mA	Forward Current I_f (mA)	Reverse Voltage V_R (V)	Reverse Current I_R (uA) at $V_R=5V$
bi-Red Super Yellow Green Super Green Pure Green Blue White	1.8~2.6 2.0~2.5 2.2~2.6 2.0~2.6 3.2~3.6 3.5~4.0 3.2~3.8	Typical 20mA 30 mA max.	5V	100uA max.
Bicolor LED				
Red & Blue	Red 1.8~2.6 Blue 3.5~4.0	Typical 20mA 30 mA max.		
Red & Pure Green	Red 1.8~2.6 Pure Green 3.2~3.6			
Pure Green & Blue	Pure Green 3.2~3.6 Blue 3.5~4.0			

- Notes:**
- 1.LED circuit is isolated and requires external power source.
 - 2.LED an integral part of the switch.
 - 3.Emitting color:±20%
 - 4.Forward Voltage:±0.1V
 - 5..Liminous intensity / Luminous Flux:±20%