



## R-18-77 Push Button Switch

**Applications:** Various electronic appliances



**Specification:**

1. Circuit : (ON) – OFF
2. Rating: 3A125VAC / 1.5A250VAC
3. Contact resistance: 50m ohm Max.
4. Insulation resistance DC 500V  
100M  $\Omega$  Min.
5. Dielectric strength: AC 1000V 1  
minute.
6. Electrical life: 5000 cycles Min
7. Mechanical life: 10,000 cycles Min.
8. Terminal material: copper alloy,  
silver plated
9. Push force: >0.3 kg
10. Button color: red, yellow, orange,  
black, green

**How to order:** for example R-18-77-R

Model Number	Cap color
R-18-77-R	Red
R-18-77-Y	Yellow
R-18-77-O	Orange
R-18-77-K	Black
R-18-77-N	Green

# 規格

## SPECIFICATIONS

### 迴路

1.CIRCUIT : A:(ON)-OFF

### 額定

2.RATING : 3A 125VAC/1.5A 250VAC

### 接觸電阻

3.CONTACT RESISTANCE : 50mΩ Max

### 絕緣電阻

4.INSULATION RESISTANCE : DC 500V 100MΩ Min

### 耐電壓

5.DIELECTRIC STRENGTH : AC 1000V 1 MINUTE

### 電子壽命

6.ELECTRICAL LIFE : 5000 CYCLE Min

### 機械壽命

7.MECHANICAL LIFE : 10,000 CYCLE Min

### 端子材料

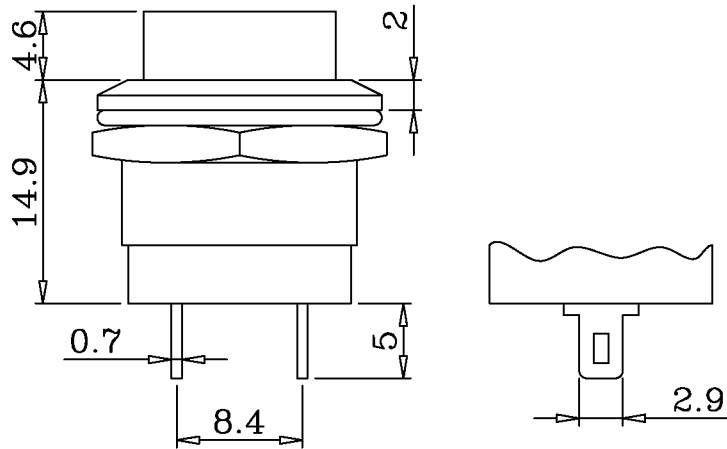
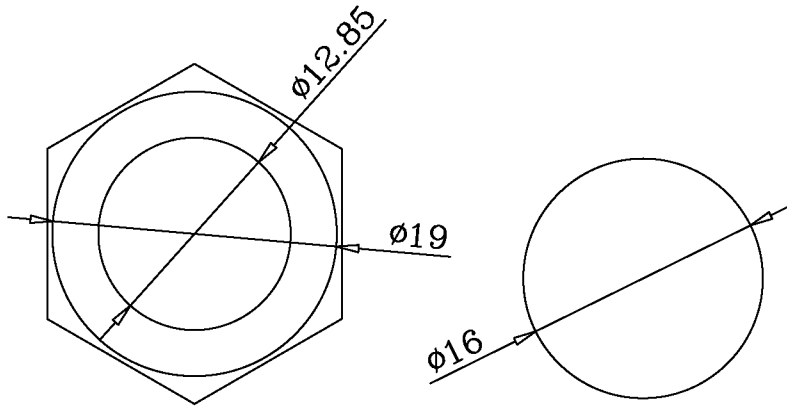
8.TERMINAL MATERIAL : COPPER,ALLOY,(SILVER OR GOLD),PLATED

### 推力

9.PUSH FORCE : >0.3kg

### 按鈕顏色

10.BUTTON COLOR : RED,YELLOW,ORANGE,BLACK,GREEN



TYPE	PUSH BUTTON SWITCH	UNIT	mm	SCALE	N/A	DATE	950718
P/N	R-18-77	DESIGN		DRAWING	Ting	AUDIT	LIU