



R-18-30A Push Button Switch

Applications: Various electronic appliances



Specification:

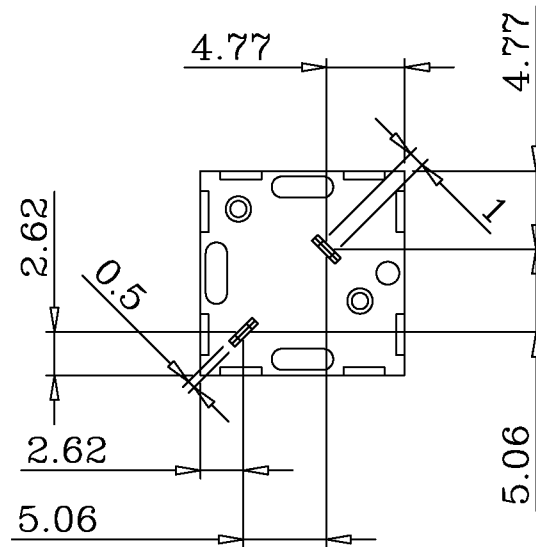
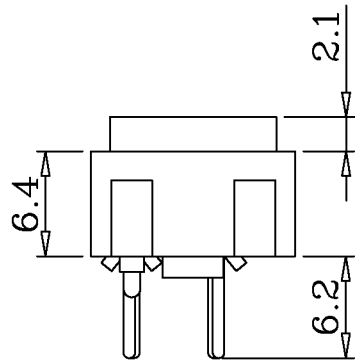
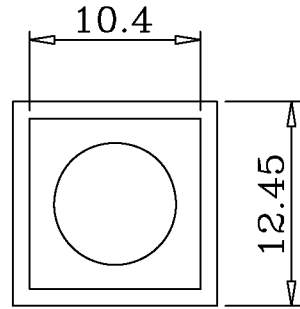
1. Circuit : (ON) – OFF
2. Rating: 1A125VAC / 0.5A250VAC
3. Contact resistance: 30m ohm Max.
4. Insulation resistance DC 500V
100M Ω Min.
5. Dielectric strength: AC 1000V 1
minute.
6. Electrical life: 40,000 cycles Min
7. Operating force: 250 \pm 50g
8. Button color: red, yellow, green,
blue, white, black, orange

How to order: for example R-18-30A-R

Model Number	Cap color
R-18-30A-R	Red
R-18-30A-Y	Yellow
R-18-30A-O	Orange
R-18-30A-K	Black
R-18-30A-N	Green
R-18-30A-B	Blue
R-18-30A-W	White

SPECIFICATIONS

- 1.Circuit: Push A:(ON)-OFF
- 2.Rating: 1A 125VAC/0.5A 250VAC
- 3.Contact R.[max]: D.C.5V 1A 30MΩ
- 4.Insulation R.[min]:D.C.500V 100mΩ
- 5.Dielectric Strength: 1500VAC 1Minute
- 6.Operating force:250±50g
- 7.Life Cycle: 40,000 Cycles



TYPE	PUSH BUTTON SWITCH	UNIT	mm	SCALE	N/A	DATE	941123
MODEL	R-18-30A	DESIGN		DRAWN	Ting	AUDIT	LIU