

Sealed Sub-Miniature Rocker Switches (SMT) **4B SERIES**



SPECIFICATIONS

CONTACT RATING: Dependent upon contact material.

MECHANICAL LIFE: 50,000 make-and-break cycles.

CONTACT RESISTANCE: 20mΩ max. initial @ 2-4VDC

100mA for both silver and gold plated contacts.

INSULATION RESISTANCE: 1,000MΩ min.

DIELECTRIC STRENGTH: 1,000 V RMS@sea level.

OPERATING TEMPERATURE: -30°C to 85°C.

MATERIALS

CASE & BUSHING: Class filled nylon 4/6, flame retardant, heat stabilized (UL94v-0).

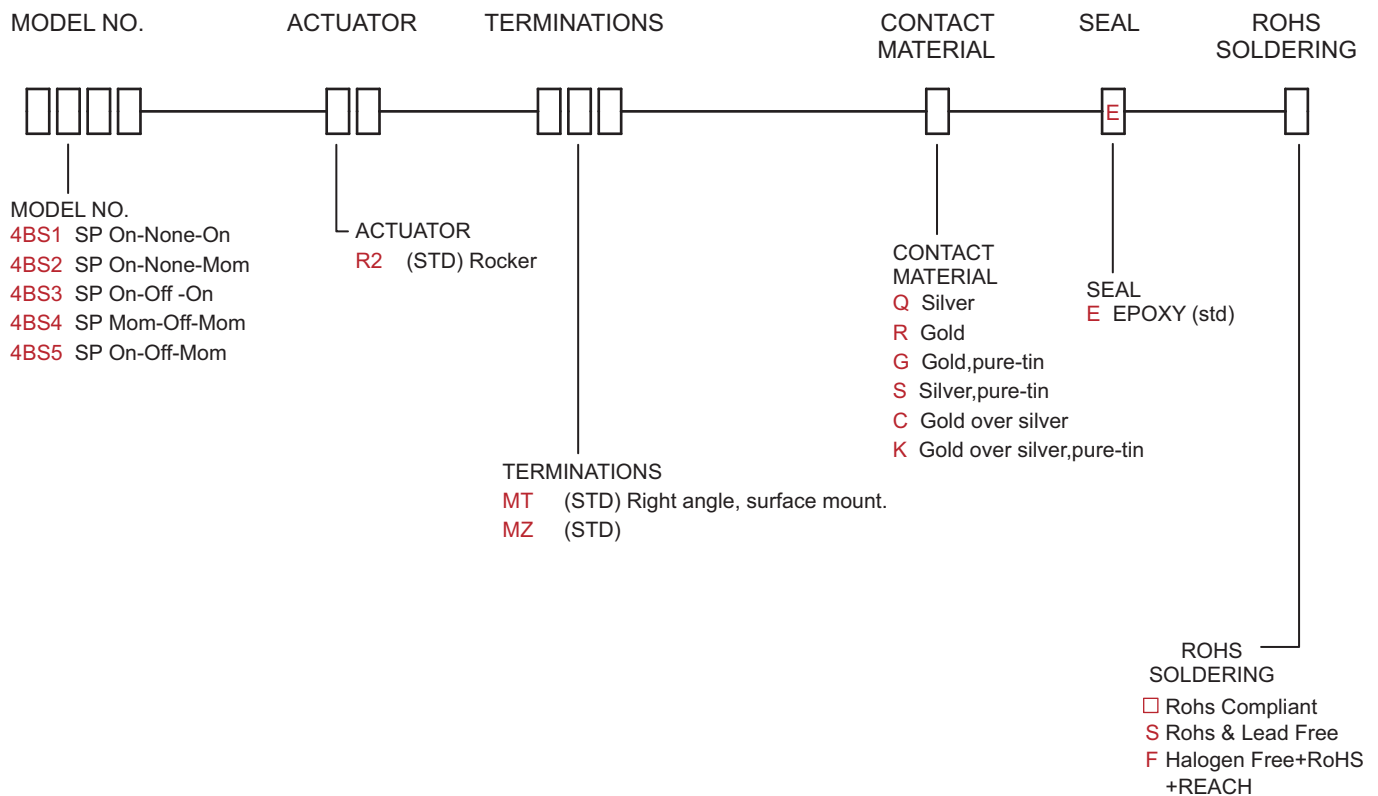
ACTUATOR: Nylon black std, internal O-ring seal standard with all actuators.

SWITCH SUPPORT: Brass, tin plated.

CONTACT / TERMINALS: Copper alloy, with Silver or gold plated.

(See Page 83)

HOW TO ORDER

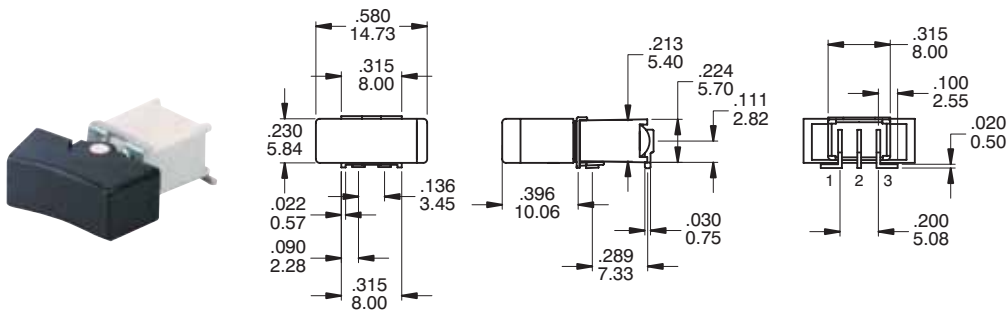


SWITCH FUNCTION

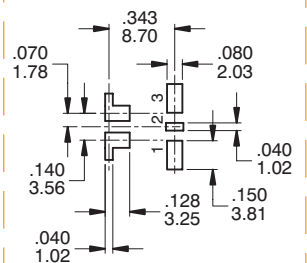
NO. POLES	UL-CSA	MODEL NO.	SWITCH FUNCTION			CONNECTED TERMINALS / SCHEMATIC		
			POS.1	POS.2	POS.3	POS.1	POS.2	POS.3
SP	Q24B11	4BS1	ON	NONE	ON	2-3	N/A	2-1
	Q24B12	4BS2	ON	NONE	MOM			
	Q24B13	4BS3	ON	OFF	ON			
	Q24B14	4BS4	MOM	OFF	MOM			
	Q24B15	4BS5	ON	OFF	MOM			OPEN

POLE OPTIONS

MT



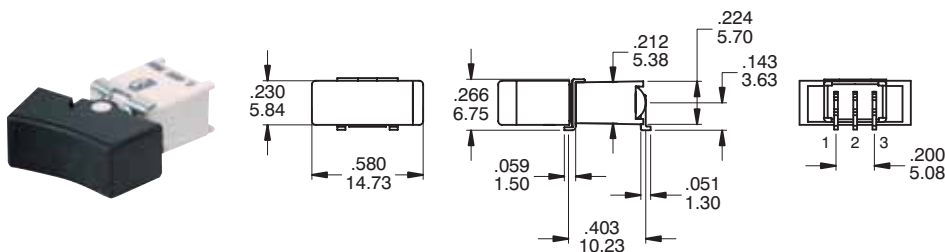
P.C. MOUNTING



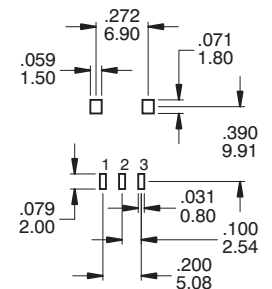
SPDT

Part No. Shown : 4BS1R202MTRE

MZ



P.C. MOUNTING



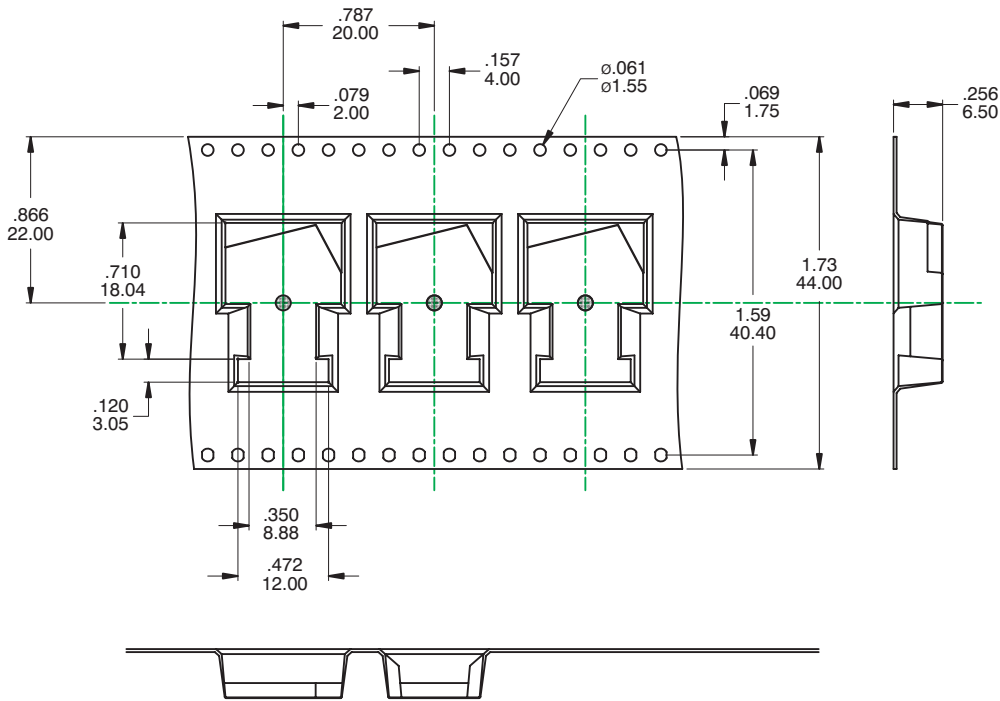
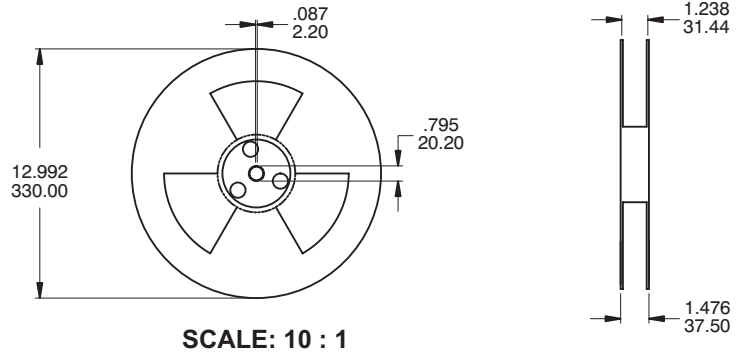
SPDT

Part No. Shown : 4BS1R202MZRE

PACKAGING

Switches available on embossed antistatic tape and reels.
Tape and cover strip are conductive for use near statically sensitive components.

Rocker Switches



REEL INFORMATION	
QUANTITY PER REEL	450 / pcs

CONTACT MATERIAL OPTIONS

	CONTACT MATERIAL	TERMINAL PLATING	RATINGS
Q	Silver	Q = Gold flash over silver	3 Amps with resistant load @ 120VAC or 28VDC 1 Amps with resistant load @ 250VA
S		S = Gold flash over silver,pure - tin	
C	Gold over Silver	C = Gold over silver	
K		K = Gold over silver,pure - tin	
R	Gold	R = Gold	0.4 Volt - Amps (VA) max. @ 20V max. (AC or DC)
G		G = Gold,pure - tin	



IP 67
 ACCORDING TO
 EN 60529:1991+A1:2001
 IEC 60529:2001

SOLDERING PROCESSES

WAVE SOLDERING : Recommended Soldering Temperature : $260 \pm 5^{\circ}\text{C}$
 Duration of Solder Immersion : 5 ± 1 seconds
 (PCB is 1.6mm in thickness)

SOLDERING : Vapor phase & IR-reflow soldering can be applied.

