



### SPECIFICATION



Electrical Rating : 20A 125VAC/16A 250VAC(UL)  
 10A/15A/16A 250VAC(VDE)  
 10A 250VAC/15A 125VAC(UL)

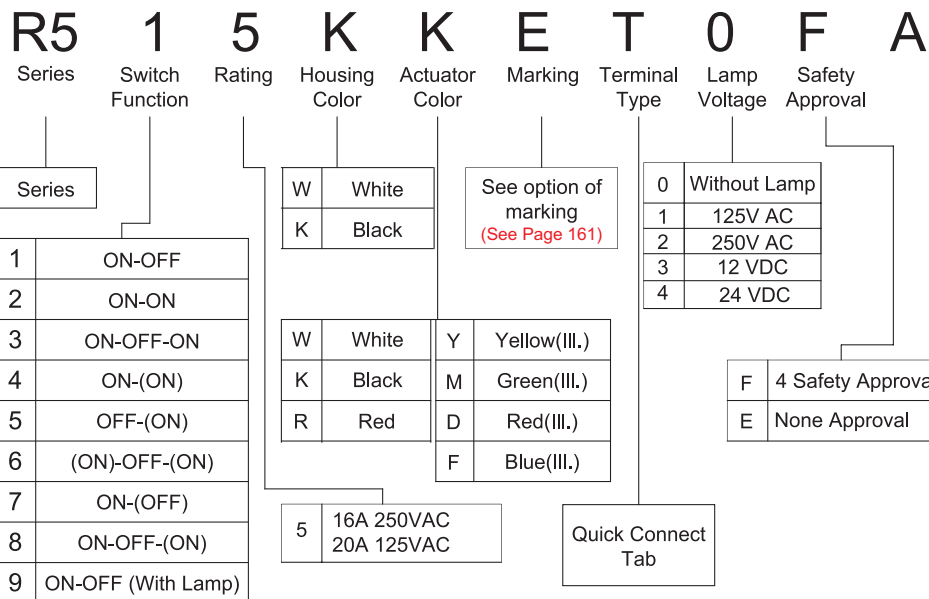
Mechanical life: Over 30000 cycles  
 Electrical life: Over 10000 cycles  
 Contact resistance: <20mΩ  
 Insulation resistance: >1000MΩ  
 High voltage resistance: >1500V 1 min.  
 Ambient temperature: Terminal side -20 to +85°C  
 Actuating side -20 to +55°C

Storage temperature: -30 to +80°C Max  
 Atmospheric humidity: Max.85%  
 Actuating force: 4~8N(depends on different switch function)  
 Flammability: UL94 V-2  
 Temperature rise at the terminal: Max 30°C (UL1054)  
 Solder ability of terminal: Max 350°C , 3s

### MATERIALS

Housing: Nylon 66  
 Rocker: PC & PA66  
 Contacts: Silver Alloy  
 Terminal: Brass Silver Plated  
 Lamp: Neon Lamp, Tungsten Lamp  
 Spring: SWP, SUS  
 Movable Arm: Brass Silver Plated

### HOW TO ORDER



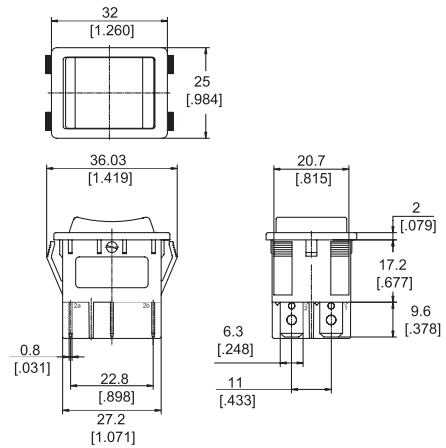
R5/32/62/82  
 10A 250VAC  
 15A 125VAC(UL)



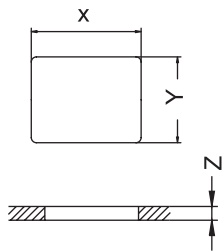
### OPTION OF SWITCH FUNCTION

Item NO	POLES & THROWS	Rocker position ( ):Momentary		
		Left	Center	Right
R51	DPST	ON	None	OFF
R52	DPDT	ON	None	ON
R53	DPDT	ON	OFF	ON
R54	DPDT	ON	None	(ON)
R55	DPST	OFF	None	(ON)
R56	DPDT	(ON)	OFF	(ON)
R57	DPST	ON	None	(OFF)
R58	DPDT	ON	OFF	(ON)
R59	DPST (WITHLAMP)	ON	None	OFF

### DIMENSION



### PANEL CUT OUT



Z	Y	X
0.70~1.25	22.20~22.30	30.0~30.20
1.25~2.00	22.20~22.30	30.2~30.40
2.00~3.00	22.20~22.30	30.6~30.80

### CIRCUITS FOR SWITCH WITH LAMP

For circuits of 250V AC or 125V AC  
 For circuits of 24V DC or 12V DC

