

# R6 Series

## Rocker Switches



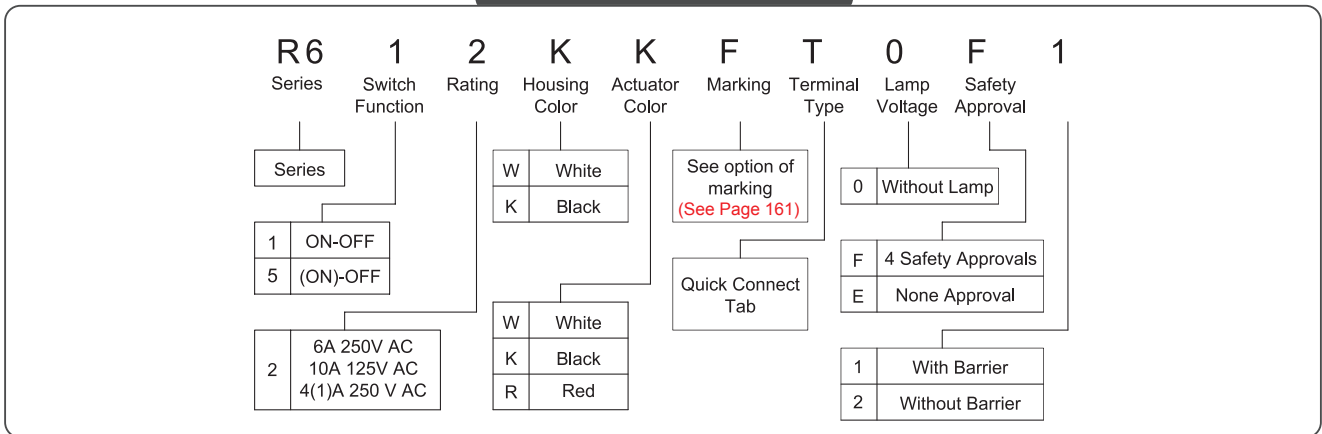
### SPECIFICATION

Electrical Rating : 6A 250VAC/10A 125VAC(UL)  
 4(1)A 250VAC(VDE)  
 Mechanical life: Over 30000 cycles  
 Electrical life: Over 10000 cycles  
 Contact resistance: <20mΩ  
 Insulation resistance: >1000MΩ  
 High voltage resistance: >1500V 1 min.  
 Ambient temperature: Terminal side -20 to +85°C  
 Actuating side -20 to +55°C  
 Storage temperature: -30 ~ +85°C Max  
 Atmospheric humidity: Max.85%  
 Actuating force: 4N  
 Flammability: UL94 V-2  
 Temperature rise at the terminal: Max 30°C (UL1054)  
 Solder ability of terminal: Max 350°C ,3s

### MATERIALS

Housing: PA 66  
 Rocker: PA66  
 Contacts: Silver Alloy  
 Terminal: Brass Silver Plated  
 Movable Arm: Copper Silver Plated

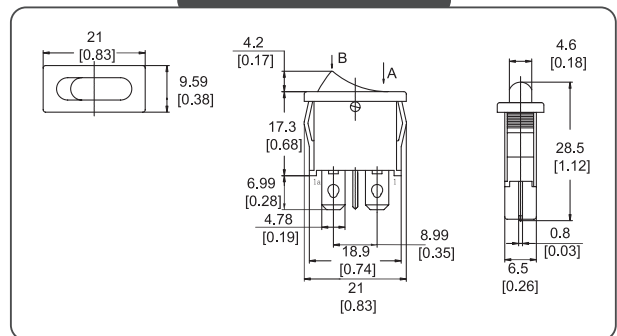
### HOW TO ORDER



### OPTION OF SWITCH FUNCTION

Item NO	POLES & THROWS	Rocker position ( ):Momentary		
		Left	Center	Right
R61	SPST	ON	None	OFF
R65	SPST	(ON)	None	OFF

### DIMENSION



### PANEL CUT OUT

Z	Y	X
0.70~1.25	6.65~6.75	19.20~19.30
1.25~2.00	6.65~6.75	19.25~19.35
2.00~3.00	6.65~6.75	19.30~19.40