



SPECIFICATION

Electrical Rating : 2A 250VAC/125VAC,
 6A 250VAC/10A 125VAC (UL)
 10A 250VAC/15A 125VAC(UL)
 10(4)A 250 VAC (VDE)

Mechanical life: Over 30000 cycles
 Electrical life: Over 10000 cycles
 Contact resistance: <20mΩ
 Insulation resistance: >1000MΩ
 High voltage resistance: >1500VAC 1 min.
 Ambient temperature: Terminal side -20 to +85°C
 Actuating side- 20 to +55°C

Atmospheric humidity: Max.85%
 Actuating force: 3 to 6N(depends on different switch function)
 Flammability: UL94V-2 & UL94V-0
 Storage temperature: -30 to +80°C Max
 Temperature rise at the terminal: 30°C (UL1054)
 Solder ability of terminal: Max 350°C 3s



MATERIALS

Housing: PA 66
 Rocker: PA 66 & PC
 Contacts: Silver alloy
 Terminal: Copper or brass silver plated
 Spring: SWC
 Movable arm: Copper silver plated
 Lamp: Neon lamp, Tungsten lamp, LED
 Bracket: PA66

HOW TO ORDER

ORDERING PROCEDURE (PART I): NON-ILLUMINATED

RC 1 5 K K E T 0 0 B

SERIES SWITCH FUNCTION RATING HOUSING COLOR ACTUATOR MARKING COLOR TERMINAL LAMP VOLTAGE SHAPE OF WINDOW SAFETY APPROVAL

1	ON-OFF
2	ON-ON
3	ON-OFF-ON

K	(BLACK)	<input type="checkbox"/>	<input type="checkbox"/>
W	(WHITE)	<input type="checkbox"/>	<input type="checkbox"/>
G	(GRAY)	<input type="checkbox"/>	<input type="checkbox"/>
O	(ORANGE)	<input type="checkbox"/>	<input type="checkbox"/>
R	(RED)	<input type="checkbox"/>	<input type="checkbox"/>
N	(GREEN)	<input type="checkbox"/>	<input type="checkbox"/>
Y	(YELLOW)	<input type="checkbox"/>	<input type="checkbox"/>
B	(BLUE)	<input type="checkbox"/>	<input type="checkbox"/>
V	(VIOLET)	<input type="checkbox"/>	<input type="checkbox"/>

SEE OPTION OF MARKING
 (See Page 161)

0 NO WINDOW

B UL,VDE

0 NO LAMP

T QUICK CONNECT TERMINAL, 4.8mm WIDE, 0.8mm THICK

AVAILABLE

10A	250VAC
5	15A 125VAC
	10(4)A 250VAC

HOW TO ORDER

ORDERING PROCEDURE (PART II): ILLUMINATED

RC 9 5 K K D E T L L R B

SERIES SWITCH FUNCTION RATING HOUSING COLOR ACTUATOR COLOR COLOR OF WINDOW MARKING TERMINAL LAMP VOLTAGE SHAPE OF WINDOW COLOR OF LAMP SAFETY APPROVAL

9	ON-OFF (LIGHTED)												
2	6A 250VAC												
5	10A 250VAC 15A 125VAC 10(4)A 250VAC												

SEE OPTION OF MARKING (See Page 161)

K	(BLACK)	○	○
W	(WHITE)	○	○
G	(GRAY)		
O	(ORANGE)		
R	(RED)		○
N	(GREEN)		
Y	(YELLOW)		
B	(BLUE)		
V	(VIOLET)		
D	(RED) illu.		○
M	(GREEN) illu.		○
Y	(YELLOW) illu.		○
F	(BLUE) illu.		○

○ AVAILABLE

E	(NO WINDOW)
D	(RED) illu.
M	(GREEN) illu.
Y	(YELLOW) illu.
F	(BLUE) illu.

L	ELLIPSE (FOR LED LAMP)
C	ROUND (FOR NEON OR TUNGSTEN LAMP)
E	NO WINDOW (FOR NEON OR TUNGSTEN LAMP)

N	TRANSPARENT NEON LAMP
F	GREEN FLUORESCENT NEON LAMP
B	BLUE FLUORESCENT NEON LAMP
T	TUNGSTEN LAMP
R	RED LED LAMP
M	GREEN LED LAMP
Y	YELLOW LED LAMP

1	NEON LAMP (125VAC)
2	NEON LAMP (250VAC)
3	12VDC TUNGSTEN LAMP
4	24VDC TUNGSTEN LAMP
L	LED

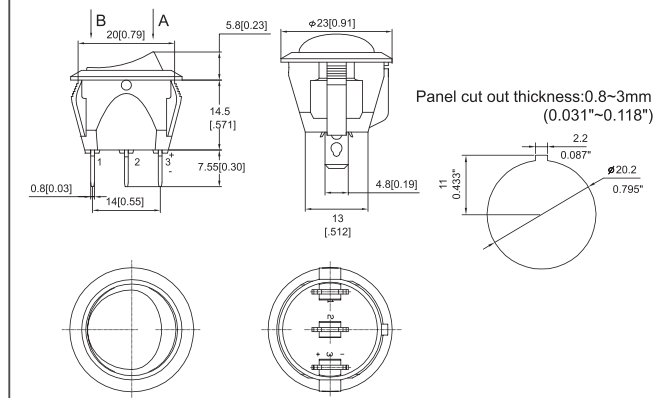
T	QUICK CONNECT TERMINAL, 4.8mm WIDE, 0.8mm THICK
---	---

B	UL, VDE
---	---------

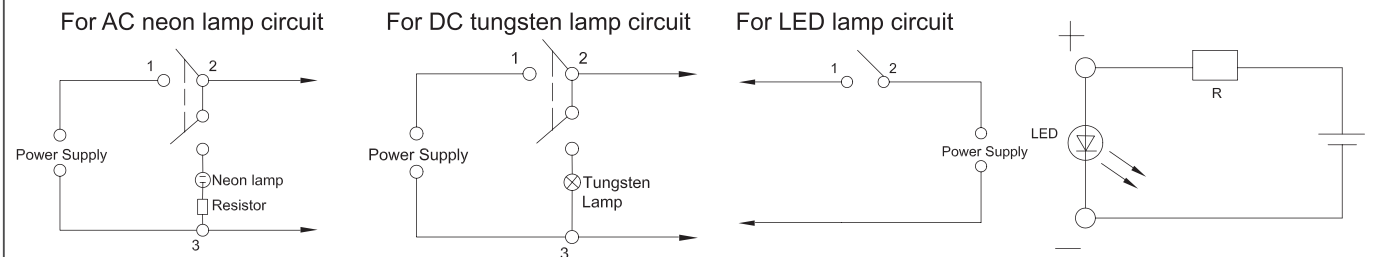
OPTION OF SWITCH FUNCTION

Item No	POLES & THROWS	Rocker position (): Momentary		
		Left	Center	Right
RC1	SPST	ON	None	OFF
RC2	SPDT	ON	None	ON
RC3	SPDT	ON	OFF	ON
RC9	SPST (With LED)	ON	None	OFF

DIMENSION & PANEL CUT OUT



LAMP CIRCUIT



CAP MARKING

FOR ROCKER SWITCHES
