

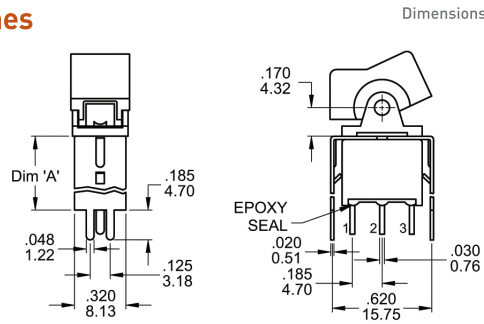
3A series

Sealed Miniature Rocker & Paddle Switches

| VS2-VS3

Part No.

• Shown : 3AS1J12VS2RE



Dimensions

Image



No.92

ROCKER SWITCHES

4U series

Sub-Miniature Rocker Switches

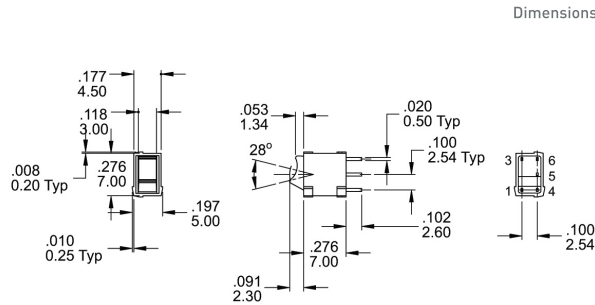
| M2

Specification

MECHANICAL LIFE: 50,000 make-and-break cycles.
CONTACT RESISTANCE: 100mΩ typ.
INSULATION RESISTANCE: DC500V 500MΩ
DIELECTRIC STRENGTH: 500 V RMS min@sea level.
OPERATING TEMPERATURE: -30°C to 85°C.

Part No.

• Shown : 4US1R102M2RNS



Dimensions

Image



No.93

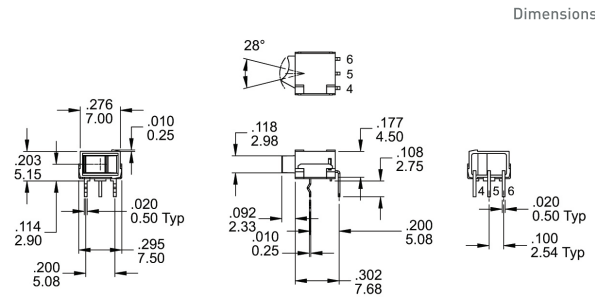
4U series

Sub-Miniature Rocker Switches

| M6

Part No.

• Shown : 4US1R102M6RNS



Dimensions

Image



No.94

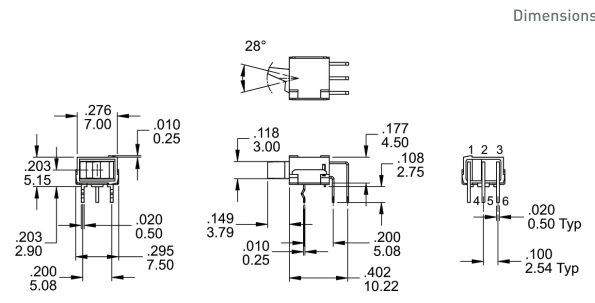
4U series

Sub-Miniature Rocker Switches

| M6

Part No.

• Shown : 4UD1R202M6RNS



Dimensions

Image



No.95

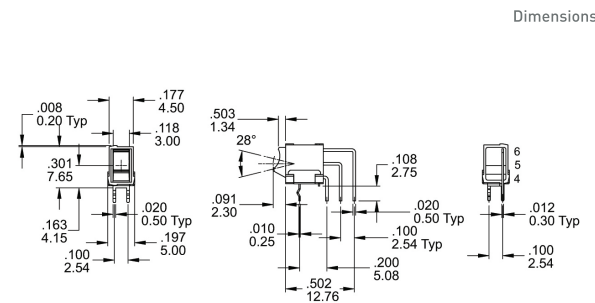
4U series

Sub-Miniature Rocker Switches

| M6

Part No.

• Shown : 4US1R102M7RNS



Dimensions

Image



No.96

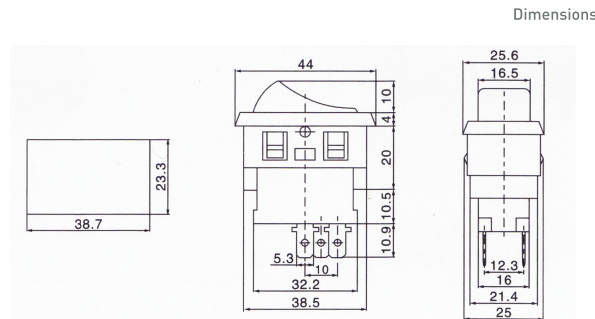
ASW series

Rocker Switches

| R3

Part No.

• Shown : ASW-06-101 ON-OFF 2P
• Shown : ASW-06-102 ON-ON 3P
• Shown : ASW-06-103 ON-OFF-ON 3P
(10A 30VDC 120A 12VDC)



Dimensions

Image



No.97