

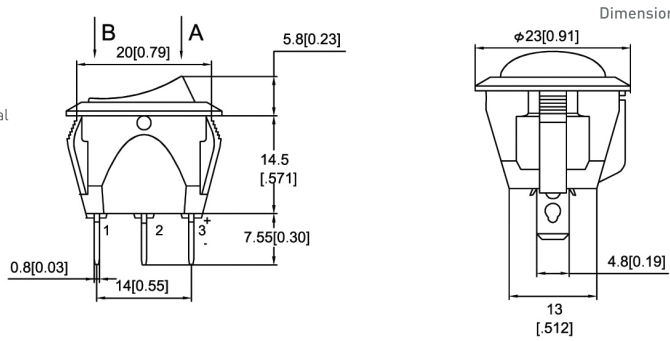
RC series
Rocker Switches
| SPDT

Specification

CONTACT RATING: Dependent upon contact material
See Page 64.
MECHANICAL LIFE: Over 30,000 cycles.
CONTACT RESISTANCE: 20mΩmax
INSULATION RESISTANCE: 1,000MΩmin.
OPERATING TEMPERATURE: -30°C to 80°C.

Part No.

• Shown : RC95KKDETLLRB

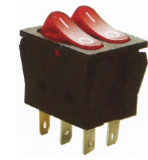
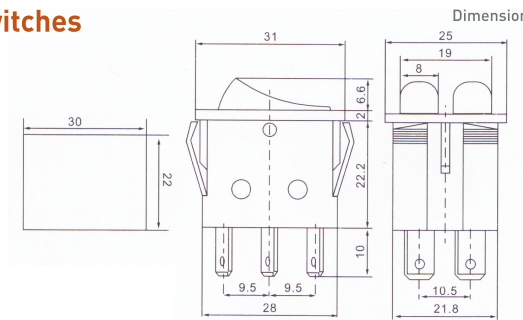


No.98

KDC series
Sealed Miniature Rocker & Paddle Switches
| R11

Part No.

• Shown : KCD2-2101-5 4P

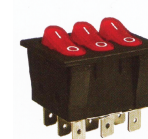
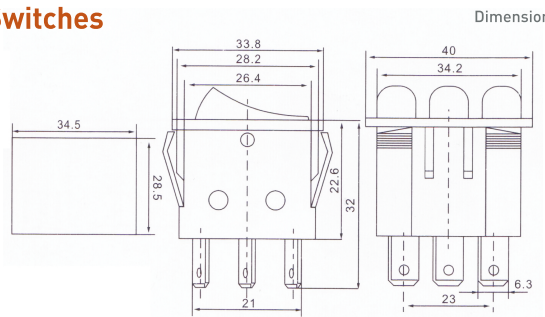


No.99

KDC series
Sealed Miniature Rocker & Paddle Switches
| R2

Part No.

• Shown : KDC2-3101 6P ON-OFF

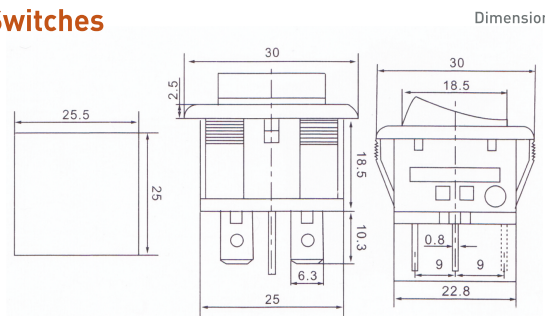


No.100

RK1 series
Sealed Miniature Rocker & Paddle Switches
| RB

Part No.

• Shown : RK1-05 4P ON-OFF

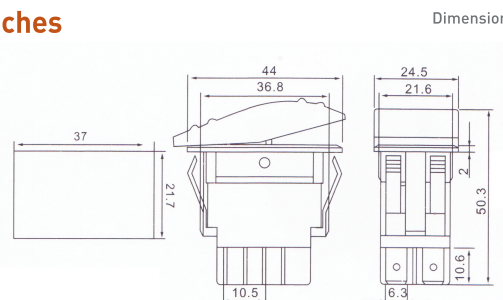


No.101

RK1 series
Sealed Miniature Rocker & Paddle Switches

Part No.

• Shown : RK1-06 4P-ON-OFF



No.102